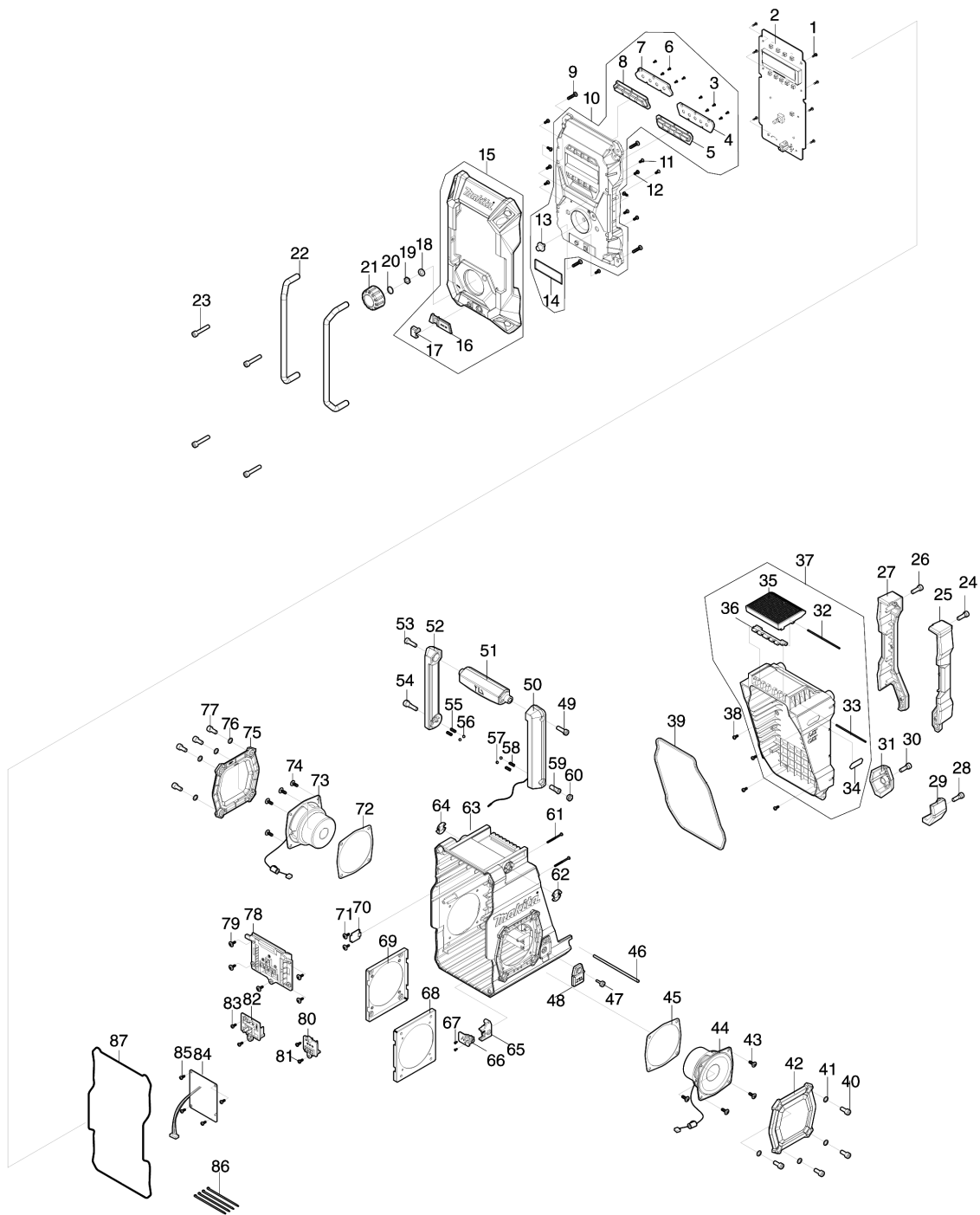


Model No.MR003G JOB SITE RADIO



Model No.MR003G JOB SITE RADIO

Položka	Číslo dílu	Popis	Změna	Množství	New/Old	Možnost 1	Možnost 2	Poznámka
001	SE00000521	SCREW PTB 3X8(ZK) 29S16308001		7				
002	SE00000933	PCB A ASS'Y		1				
003	SE09090011	SCREW 1.7		5				
004	SE00000851	PRESET KEY HOLDER(BLK)		1				
005	SE00000852	PRESET KEY		1				
006	SE09090011	SCREW 1.7		5				
007	SE00000849	POWER KEY HOLDER(BLK)		1				
008	SE00000934	POWER KEY		1				
009	SE09064161	SCREW M4X16		4				
010	SE00000935	FRONT CABINET ASS'Y		1				
D10		INC. 3-8,13,14						
011	SE00000854	SCREW PTF 3X6(ZK)		2				
012	SE00000521	SCREW PTB 3X8(ZK) 29S16308001		9				
013	SE00000855	RUBBER KEY		1				
014	SE00000856	FRONT PACKING		1				
015	SE00000936	FRONT BUMPER		1				
D10		INC. 16,17						
016	SE00000859	JACK RUBBER COVER		1				
017	SE00000860	JACK COVER		1				
018	SE00000754	EN/SW WASHER		1				
019	SE00000755	EN/SW NUT		1				
020	SE21B1110A	ROTARY KNOB RING		1				
021	SE00000861	ROTARY KNOB(BLK)		1				
022	SE00000862	FRONT BAR		2				
023	SE00000709	SCREW PTHE 6X33(CR)		4				
024	SE09176166	šroub M6x16 BMR100		1				
025	SE00000864	BATTERY BUMPER-R		1				
026	SE09176166	šroub M6x16 BMR100		1				
027	SE00000863	BATTERY BUMPER-L		1				
028	SE09176166	šroub M6x16 BMR100		1				
029	SE00000866	REAR BUMPER-R		1				
030	SE09176166	šroub M6x16 BMR100		1				
031	SE00000865	REAR BUMPER-L		1				
032	SE00000868	PIN D2X84		1				
033	SE00000539	PIN D2X77 2100B300200		1				
034	SE00000872	XGT PLATE		1				
035	SE00000867	LOCKER COVER		1				
036	SE00000536	LOCKER HINGE 3300B30000010		1				
037	SE00000870	BATTERY COVER (BLUE)		1				
D10		INC. 32-36						
038	SE00000521	SCREW PTB 3X8(ZK) 29S16308001		4				
039	SE00000873	BATTERY COVER PACKING		1				
040	SE9076146A	šroub		4				
041	SE024J9070	PACKING		4				

Please order the parts with part number.

Print Date 30/11/2022

Model No.MR003G JOB SITE RADIO

Položka	Číslo dílu	Popis	Změna	Množství	New/Old	Možnost 1	Možnost 2	Poznámka
042	SE00000874	SPEAKER PANEL ASS'Y		1				
043	SE09090023	SCREW M4X12		4				
044	SE00000938	RIGHT SPEAKER ASS'Y		1				
045	SE00000876	SPEAKER PACKING		1				
046	SE00000877	BATTERY COVER FIXER PIN		1				
047	SE00000404	SCREW PTHE 3X14(CR)		1				
048	SE00000878	DC JACK COVER		1				
049	SE00000176	SCREW PTHE6X20(CR)		1				
050	SE00000939	HANDLE R ANT DAB		1				
051	SE00000881	HANDLE BAR		1				
052	SE00000879	HANDLE L		1				
053	SE00000176	SCREW PTHE6X20(CR)		1				
054	SE00000715	SCREW PTHE 6X17(CR)		1				
055	SE00000184	SPRING		2				
056	SE09994007	kulička		2				
057	SE09994007	kulička		2				
058	SE00000184	SPRING		2				
059	SE00000716	SCREW PTHE 7X16(CR)		1				
060	SE00000717	SCREW PTHE 10.8X4.5(CR)		1				
061	SE00000445	SCREW PTB 3X45(NI)		2				
062	SE00000888	HANDLE SUS-PLATE(R)		1				
063	SE00000942	REAR CABINET		1				
064	SE00000889	HANDLE SUS-PLATE(L)		1				
065	SE00000890	DC JACK HOLDER		1				
066	SE00000944	PCB F ASS'Y		1				
067	SE09090011	SCREW 1.7		2				
068	SE00000892	SPEAKER HOLDER		1				
069	SE00000892	SPEAKER HOLDER		1				
070	SE00000785	PCB G ASS'Y		1				
071	SE00000193	SCREW 3X10		2				
072	SE00000876	SPEAKER PACKING		1				
073	SE00000945	LEFT SPEAKER ASS'Y		1				
074	SE09090023	SCREW M4X12		4				
075	SE00000874	SPEAKER PANEL ASS'Y		1				
076	SE024J9070	PACKING		4				
077	SE9076146A	šroub		4				
078	SE00000946	XGT TERMINAL		1				
079	SE00000193	SCREW 3X10		5				
080	SE00000947	CXT TERMINAL 10.8 -A- 3PIN ASS'		1				
081	SE00000521	SCREW PTB 3X8(ZK) 29S16308001		2				
082	SE00000948	LXT TERMINAL(18V) ASS'Y		1				
083	SE00000521	SCREW PTB 3X8(ZK) 29S16308001		2				
084	SE00000949	PCB D+M ASS'Y (BATT_DET)		1				
085	SE00000521	SCREW PTB 3X8(ZK) 29S16308001		4				

Please order the parts with part number.

Print Date 30/11/2022

Model No.MR003G JOB SITE RADIO

Položka	Číslo dílu	Popis	Změna	Množství	New/Old	Možnost 1	Možnost 2	Poznámka
086	SE00000195	W/TIES 100MM		4				
087	SE00000899	REAR CABINET PACKING		1				
A01	SE00000265	AC ADAPTER		1				

Please order the parts with part number.

Print Date 30/11/2022