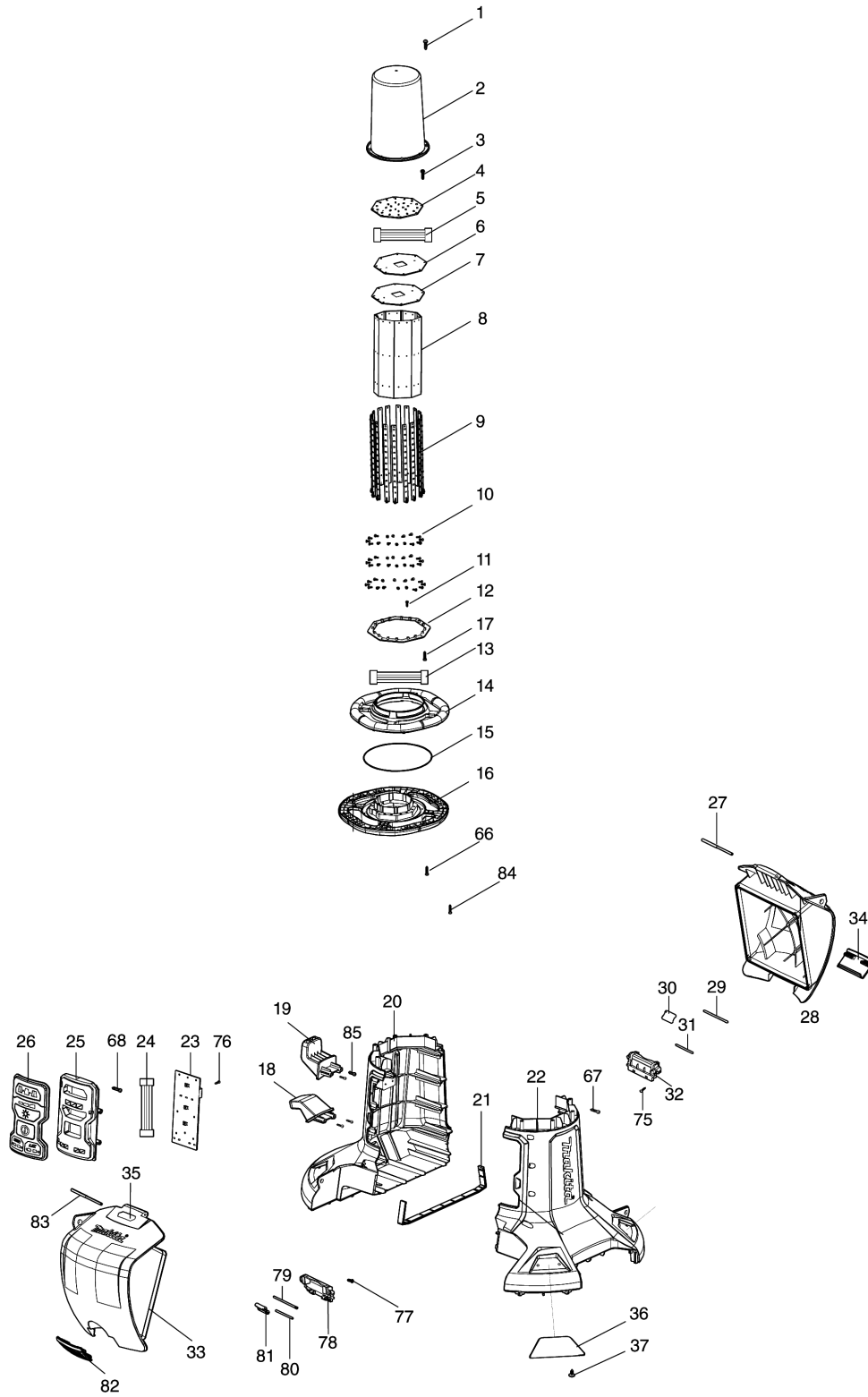
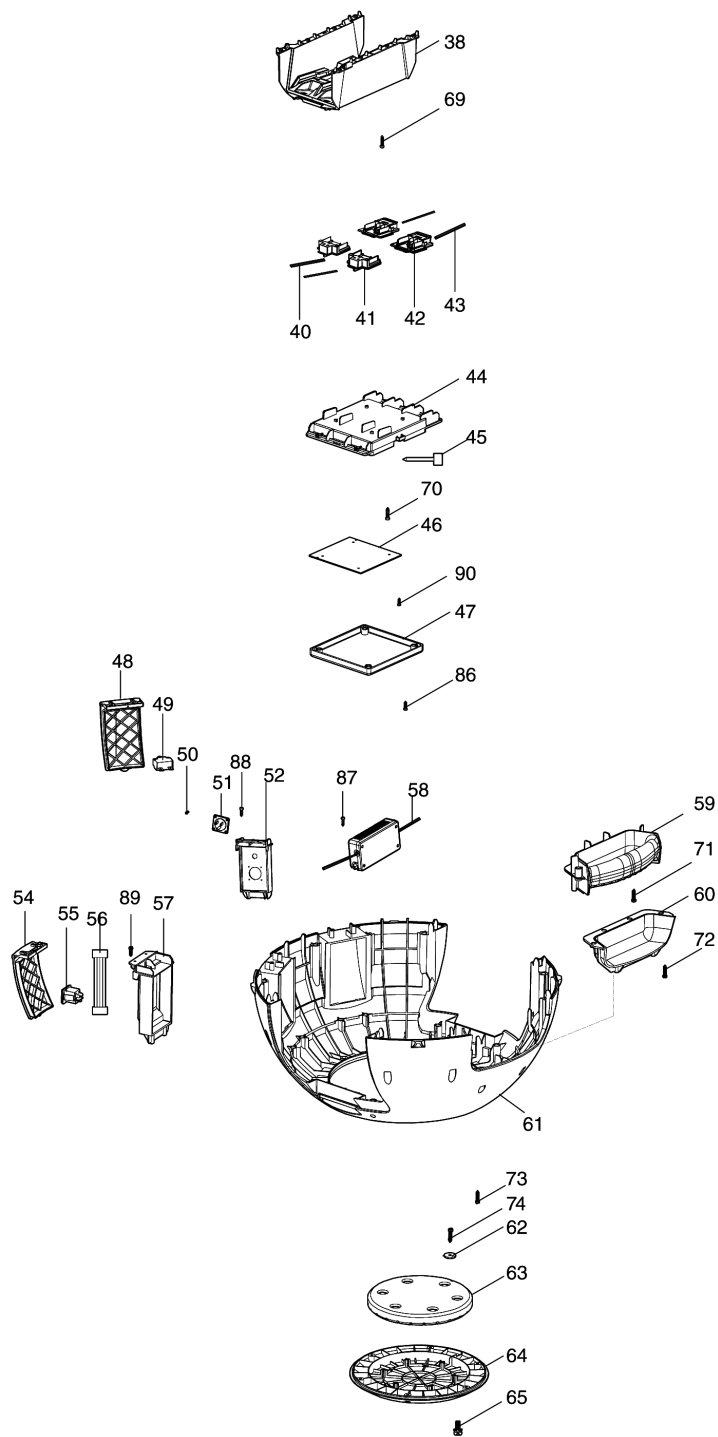


# Model No.ML010G CORDLESS AREA WORKLIGHT



Model No.ML010G CORDLESS AREA WORKLIGHT



Model No.ML010G CORDLESS AREA WORKLIGHT

Položka	Číslo dílu	Popis	Změna	Množství	New/Old	Možnost 1	Možnost 2	Poznámka
001	QY00000001	TAPPING SCREW 4X20		8				
002	QY00000002	LED COVER		1				
003	QY00000003	TAPPING SCREW 3.5X14		8				
004	QY00000102	LED PLATE		1				
005	QY00000005	WIRE UNIT 6X300		1				
006	QY00000006	INSULATION PLATE		1				
007	QY00000007	HEAT SINK PLATE COVER		1				
008	QY00000008	HEAT SINK PLATE		1				
009	QY00000103	LED PLATE LONG		16				
010	QY00000009	TAPPING SCREW 3X6		48				
011	QY00000011	TAPPING SCREW 3X12		4				
012	QY00000104	LED PCB CONNECTOR		1				
013	QY00000105	CABLE		1				
014	QY00000014	CIRCLE HANDLE UPPER		1				
015	QY00000015	O-RING		1				
016	QY00000016	CIRCLE HANDLE LOWER		1				
017	QY00000017	TAPPING SCREW 3.5X14		8				
018	QY00000106	CABLE HOOK UNDER		1				
019	QY00000107	CABLE HOOK UPPER		1				
020	QY00000108	CASE L		1				
021	QY00000109	SEALING		1				
022	QY00000110	CASE R		1				
023	QY00000111	SWITCH PCB BOARD		1				
024	QY00000112	LEAD UNIT		1				
025	QY00000113	SWITCH BASE		1				
026	QY00000114	SWITCH COVER		1				
027	QY00000115	PIN		2				
028	QY00000116	BATTERY COVE A		1				
029	QY00000030	PIN 2.5X73		2				
030	QY00000032	BATTERY COVER PLATE		2				
031	QY00000031	PIN 4X75		2				
032	QY00000117	BATTERY COVER BASE		1				
033	QY00000118	BATTERY COVER B		1				
D10		INC. 35						
034	QY00000029	LATCH		2				
035	8030S0-0	XGT LOGO LABEL		1				
036	QY00000027	REFLECTOR		4				
037	QY00000026	TAPPING SCREW 3X8		8				
038	QY00000119	BATTERY BOX LOWER		1				
040	QY00000121	LEAD UNIT (LXT)		2				
041	QY00000122	LXT BATTERY TERMINAL		2				
042	QY00000123	XGT BATTERY TERMINAL		2				
043	QY00000124	LEAD UNIT (XGT)		2				
044	QY00000125	TERMINAL SUPPORT		1				
045	QY00000126	CABLE TIES		12				

Please order the parts with part number.

Print Date 6/10/2023

Model No.ML010G CORDLESS AREA WORKLIGHT

Položka	Číslo dílu	Popis	Změna	Množství	New/Old	Možnost 1	Možnost 2	Poznámka
046	QY00000127	MAIN PCB BOARD		1				
047	QY00000128	PCB BOARD COVER		1				
048	QY00000129	AC INPUT SOCKET COVER		1				
049	QY00000056	HUSE SET		1				
050	QY00000036	TAPPING SCREW 3X12		2				
051	QY00000058	AC INPUT POWER CONNECTOR		1				
052	QY00000130	AC INPUT SOCKET CASE		1				
054	QY00000135	AC OUTPUT SOCKET COVER		1				
055	QY00000067	AC OUTPUT SOCKET D		1				
056	QY00000142	LEAD UNIT		1				
057	QY00000148	AC OUTPUT SOCKET CASE		1				
058	QY00000151	POWER UNIT		1				
059	QY00000152	SUB HADDLE		1				
060	QY00000153	HANDLE COVER		1				
061	QY00000154	BASE		1				
062	QY00000061	WASHER 5		6				
063	QY00000155	WEIGHT		1				
064	QY00000156	UNDER COVER		1				
065	QY00000157	PAN HEAD SCREW M5X16		6				
066	QY00000001	TAPPING SCREW 4X20		8				
067	QY00000001	TAPPING SCREW 4X20		8				
068	QY00000001	TAPPING SCREW 4X20		3				
069	QY00000001	TAPPING SCREW 4X20		8				
070	QY00000001	TAPPING SCREW 4X20		4				
071	QY00000001	TAPPING SCREW 4X20		3				
072	QY00000001	TAPPING SCREW 4X20		4				
073	QY00000001	TAPPING SCREW 4X20		20				
074	QY00000001	TAPPING SCREW 4X20		6				
075	QY00000011	TAPPING SCREW 3X12		2				
076	QY00000011	TAPPING SCREW 3X12		6				
077	QY00000011	TAPPING SCREW 3X12		2				
078	QY00000117	BATTERY COVER BASE		1				
079	QY00000030	PIN 2.5X73		1				
080	QY00000031	PIN 4X75		1				
081	QY00000032	BATTERY COVER PLATE		1				
082	QY00000029	LATCH		1				
083	QY00000115	PIN		1				
084	QY00000017	TAPPING SCREW 3.5X14		4				
085	QY00000017	TAPPING SCREW 3.5X14		4				
086	QY00000017	TAPPING SCREW 3.5X14		4				
087	QY00000017	TAPPING SCREW 3.5X14		2				
088	QY00000017	TAPPING SCREW 3.5X14		2				
089	QY00000017	TAPPING SCREW 3.5X14		2				
090	QY00000011	TAPPING SCREW 3X12		4				

Please order the parts with part number.

Print Date 6/10/2023

Model No.ML010G CORDLESS AREA WORKLIGHT

Položka	Číslo dílu	Popis	Změna	Množství	New/Old	Možnost 1	Možnost 2	Poznámka
A01	QY00000093	POWER SUPPLY CORD EU PLUG		1				

Please order the parts with part number.

Print Date 6/10/2023