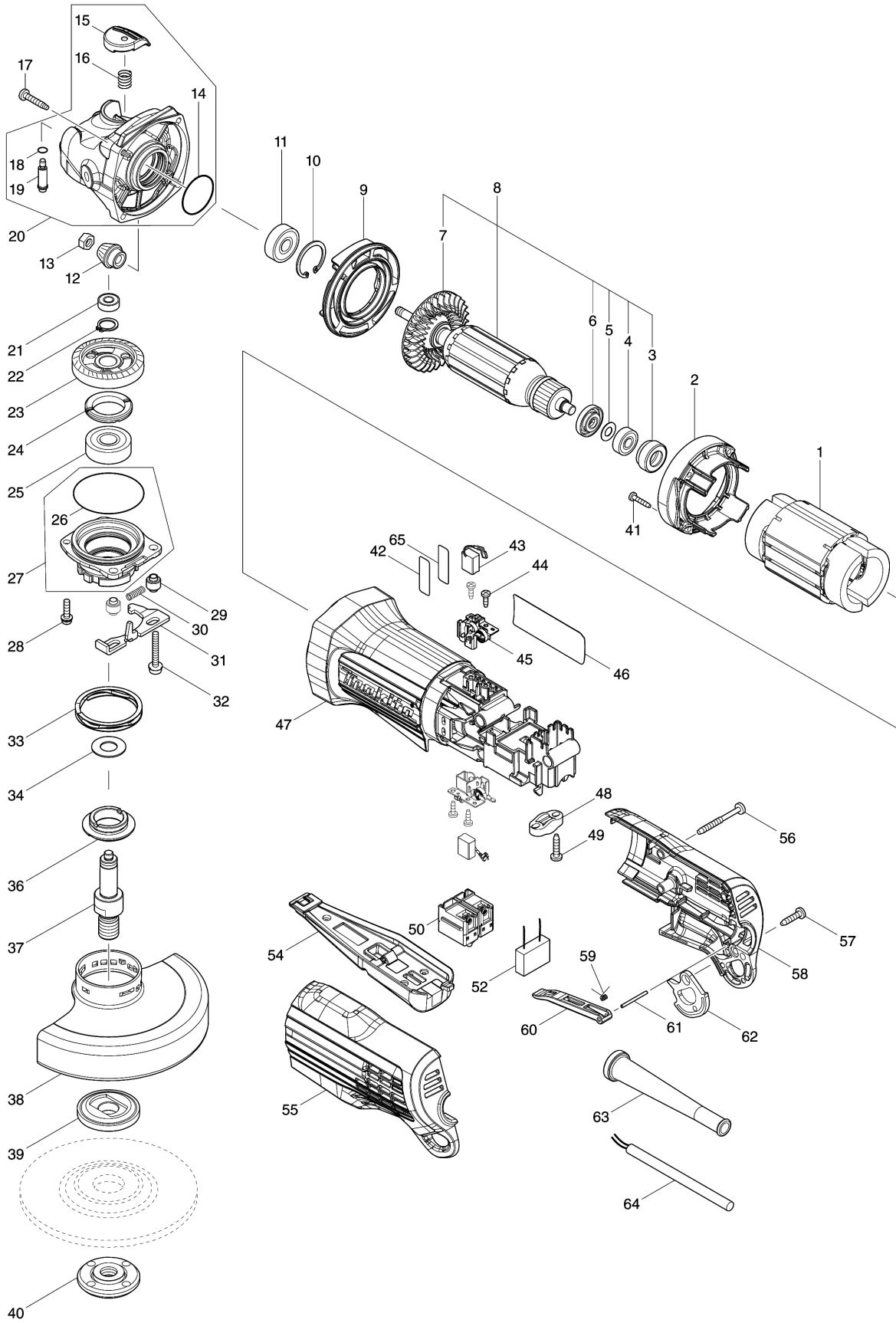


Model No.GA5050 125MM ANGLE GRINDER



Model No.GA5050 125MM ANGLE GRINDER

| Položka | Číslo dílu | Popis | Změna | Množství | New/Old | Možnost 1 | Možnost 2 | Poznámka |
|---------|------------|-------------------------|-------|----------|---------|-----------|-----------|----------|
| 001 | 634734-9 | FIELD | | 1 | | | | |
| 002 | 459003-5 | BAFFLE PLATE | | 1 | | | | |
| 003 | 422413-9 | RUBBER RING 19 | | 1 | | | | |
| 004 | 210017-7 | BALL BEARING 607DDW | | 1 | | | | |
| 005 | 253186-1 | FLAT WASHER 7 | | 1 | | | | |
| 006 | 681636-0 | INSULATION WASHER | | 1 | | | | |
| 007 | 240197-5 | FAN60 | | 1 | | | | |
| 008 | 518359-6 | ARMATURE ASS'Y 220V | | 1 | | | | |
| D10 | | INC. 3-7 | | | | | | |
| 009 | 459004-3 | DIFFUSER | | 1 | | | | |
| 010 | 962105-3 | RETAINING RING R-26 | | 1 | | | | |
| 011 | 211092-6 | BALL BEARING 629DDW | | 1 | | | | |
| 012 | 226858-1 | SPIRAL BEVEL GEAR 10 | | 1 | | | | |
| 013 | 252186-8 | HEX. NUT M6 | | 1 | | | | |
| 014 | 213407-3 | O RING 26 | | 1 | | | | |
| 015 | 459006-9 | PIN CAP | | 1 | | | | |
| 016 | 232491-9 | COMPRESSION SPRING 9 | | 1 | | | | |
| 017 | 266324-6 | TAPPING SCREW 4X22 | | 4 | * | | | |
| 017-1 | 265B46-7 | TAPPING SCREW 4X22 | O | 4 | | | | |
| 018 | 213877-6 | O-RING 6 | | 1 | | | | |
| 019 | 256594-5 | SHOULDER PIN 6 | | 1 | | | | |
| 020 | 136144-1 | GEAR HOUSING B ASS'Y | | 1 | | | | |
| C10 | 263002-9 | RUBBER PIN 4 | | 1 | | | | |
| D10 | | INC. 14-16,18,19 | | | | | | |
| 021 | 210033-9 | BALL BEARING 696ZZ | | 1 | | | | |
| 022 | 961052-5 | RETAINING RING S-12 | | 1 | | | | |
| 023 | 226859-9 | SPIRAL BEVEL GEAR 37 | | 1 | | | | |
| 024 | 285039-6 | BEARING RETAINER 23-33 | | 1 | | | | |
| 025 | 211129-9 | BALL BEARING 6201DDW | | 1 | | | | |
| 026 | 213624-5 | O RING 48 | | 1 | | | | |
| 027 | 136141-7 | BEARING BOX A ASS'Y | | 1 | | | | |
| D10 | | INC. 26 | | | * | | | |
| D11 | | INC. 26,66 | | | | | | |
| 028 | 911128-8 | P.H.SCREW M4X16 WITH WR | | 2 | | | | |
| 029 | 327322-6 | SLEEVE 4 | | 2 | | | | |
| 030 | 232490-1 | COMPRESSION SPRING 4 | | 1 | | | | |
| 031 | 347475-5 | LEVER | | 1 | | | | |
| 032 | 911159-7 | PAN HEAD SCREW M4X30 | | 2 | | | | |
| 033 | 232542-8 | SCROW WAVE SPRING 41 | | 1 | * | | | |
| 034 | 267238-2 | FLAT WASHER 12 | | 1 | | | | |
| 036 | 319789-2 | PLATE RETAINER 20 | | 1 | | | | |
| 037 | 327241-6 | SPINDLE | | 1 | | | | |
| 038 | 347480-2 | WHEEL COVER 125 | | 1 | | | | |
| 039 | 224490-5 | INNER FLANGE 14-45 | | 1 | | | | |
| 040 | 224485-8 | LOCK NUT 14-45 | | 1 | | | | |

Please order the parts with part number.

Print Date 6/1/2021

Model No.GA5050 125MM ANGLE GRINDER

| Položka | Číslo dílu | Popis | Změna | Množství | New/Old | Možnost 1 | Možnost 2 | Poznámka |
|---------|------------|-----------------------------|-------|----------|---------|-----------|-----------|----------|
| 041 | 266429-2 | TAPPING SCREW 3X16 | | 4 | * | | | |
| 041-1 | 266130-9 | TAPPING SCREW BIND PT 3X16 | O | 4 | | | | |
| 042 | 856E22-6 | GA5050 SERIAL NO. LABEL | | 1 | | | | |
| 043 | 191D85-2 | CARBON BRUSH SET CB-260 | | 1 | | | | |
| 044 | 266007-8 | TAPPING SCREW BIND PT 3X10 | | 4 | | | | |
| 045 | 643541-9 | BRUSH HOLDER | | 2 | | | | |
| 046 | 856E20-0 | GA5050 NAME PLATE | | 1 | | | | |
| 047 | 458999-7 | MOTOR HOUSING | | 1 | | | | |
| 048 | 687124-5 | STRAIN RELIEF | | 1 | | | | |
| 049 | 266326-2 | TAPPING SCREW 4X18 | | 2 | | | | |
| 050 | 650579-7 | SWITCH 1246.3223 | | 1 | * | | | |
| 050-1 | 651396-8 | SWITCH FPC-2115S-0-03 | < | 1 | | | | |
| 052 | 632N93-9 | CAPACITOR UNIT | | 1 | | | | |
| 054 | 162540-7 | SWITCH LEVER COMPLETE | | 1 | | | | |
| C10 | 231679-8 | TORSION SPRING 2 | | 1 | | | | |
| C20 | 459007-7 | LOCK OFF LEVER | | 1 | * | | | |
| C21 | 412971-3 | LOCK OFF LEVER | < | 1 | | | | |
| C30 | 951019-1 | SPRING PIN 2-20 | | 1 | | | | |
| 055 | 183M68-0 | REAR COVER SET | | 1 | | | | |
| D10 | | INC. 58 | | | | | | |
| 056 | 266048-4 | TAPPING SCREW 4X40 | | 3 | | | | |
| 057 | 266326-2 | TAPPING SCREW 4X18 | | 1 | | | | |
| 058 | 183M68-0 | REAR COVER SET | | 1 | | | | |
| D10 | | INC. 55 | | | | | | |
| 059 | 232492-7 | TORSION SPRING 2 | | 1 | | | | |
| 060 | 459005-1 | SWITCH LINK LEVER | | 1 | | | | |
| 061 | 256595-3 | PIN 2 | | 1 | | | | |
| 062 | 347476-3 | STRAP RING | | 1 | | | | |
| 063 | 682559-5 | CORD GUARD 8 | | 1 | | | | |
| 064 | 665394-6 | POWER SUPPLY CORD 1.0-2-2.5 | | 1 | | | | |
| 066 | 213789-3 | O-RING 38 | | 1 | | | | |
| A01 | 158237-4 | GRIP 36 COMPLETE | | 1 | | | | |
| A02 | 782423-1 | LOCK NUT WRENCH 35 | | 1 | | | | |

Please order the parts with part number.

Print Date 6/1/2021