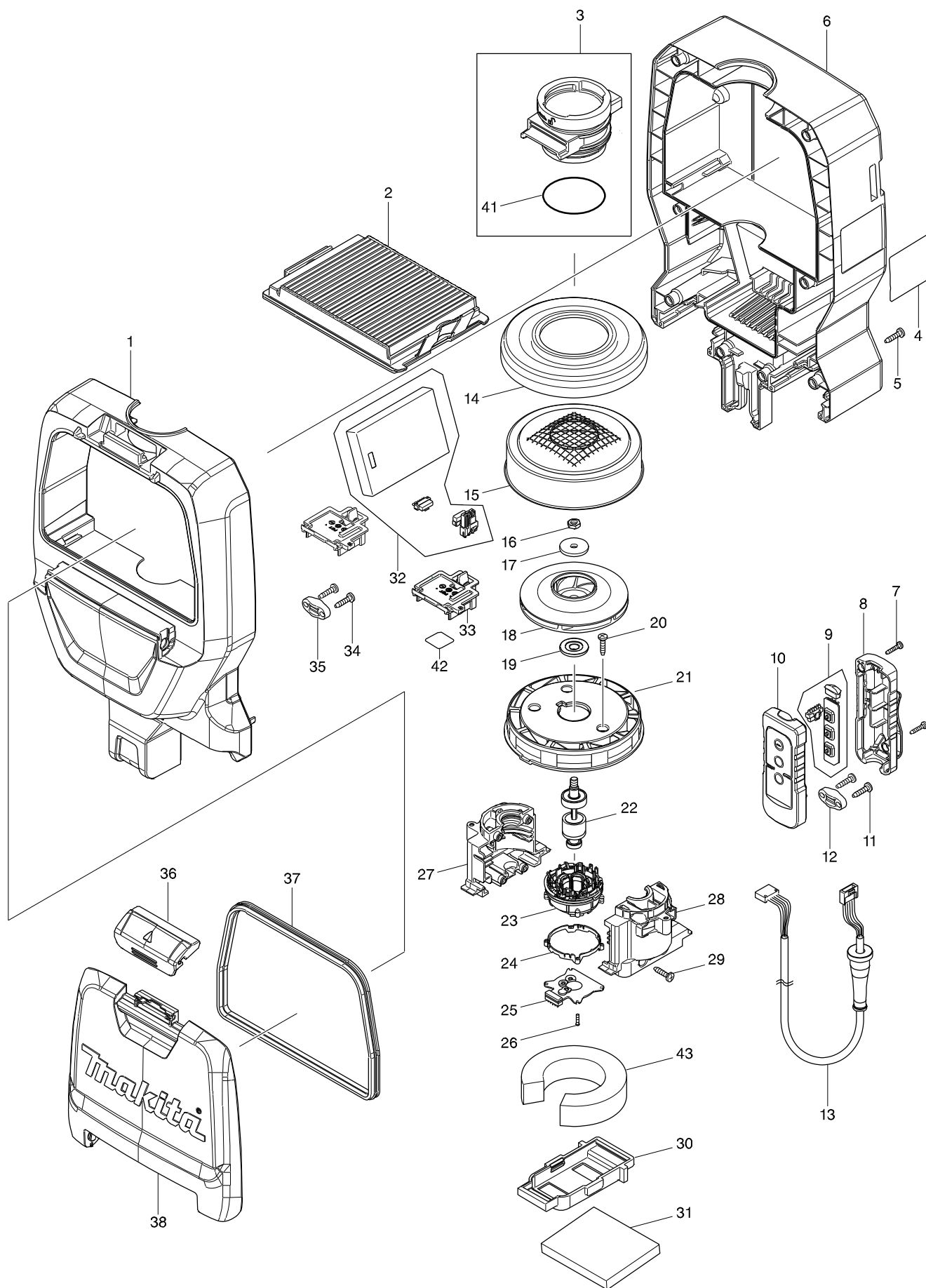
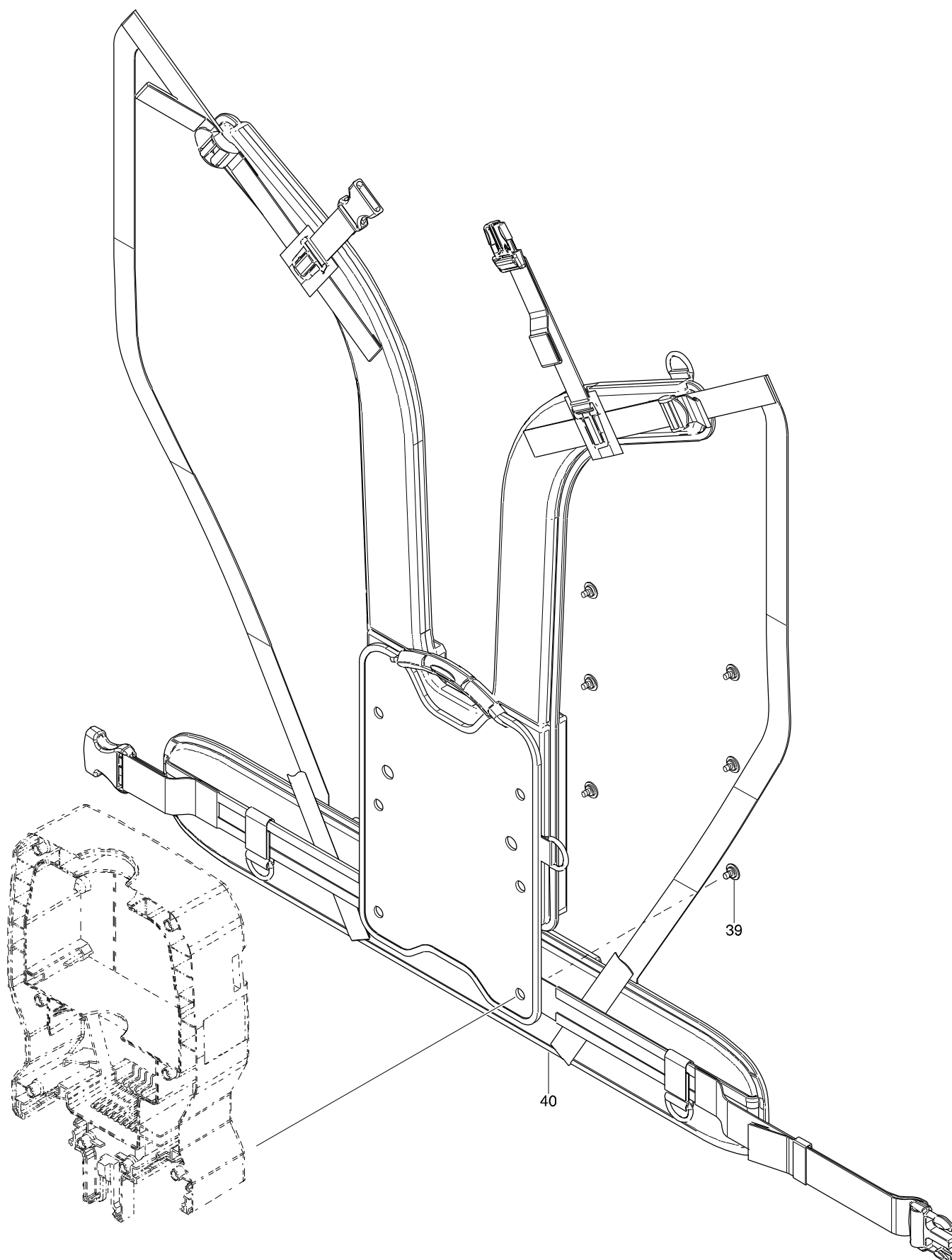


Číslo typu DVC261 DC BACKPACK VACUUM CLEANER





Položka	Číslo dílu	Popis	Změn	Množství	N/O	Možnost 1	Možnost 2	Poznámka
001	140G16-6	UPPER HOUSING COMPLETE		1				
C10	263005-3	RUBBER PIN 6		4				
C20	422373-5	BAND DAMPER A		1				
002	123636-9	HEPA FILTER ASSEMBLY		1				
C10	153820-2	VALVE COMPLETE		1				
003	135771-1	INLET ASS'Y		1				
D10		INC. 41						
004	854Y90-3	DVC261 NAME PLATE		1				
005	266326-2	TAPPING SCREW 4X18		8				
006	140F61-5	LOWER HOUSING COMPLETE		1				
C10	422374-3	BAND DAMPER B		1				
007	266130-9	TAPPING SCREW BIND PT 3X16		2				
008	183K74-3	SWITCH CASE SET		1				
C10	818F86-4	SWITCH LABEL		1				
D10		INC. 10						
009	620525-4	SUB CONTROLLER		1				
010	183K74-3	SWITCH CASE SET		1				
C10	818F86-4	SWITCH LABEL		1				
D10		INC. 8						
011	266326-2	TAPPING SCREW 4X18		2				
012	687123-7	STRAIN RELIEF		1				
013	699077-6	POWER SUPPLY CORD UNIT		1				
014	422376-9	SUPPORT RING		1				
015	161804-6	FAN COVER		1				
016	931303-0	HEX. NUT M6		1				
017	322407-3	WASHER 6		1				
018	241851-4	FAN 94		1				
019	313062-2	FLANGE		1				
020	266326-2	TAPPING SCREW 4X18		3				
021	456736-3	FAN BASE		1				
022	619517-8	ROTOR		1				
023	629381-9	STATOR		1				
024	687464-1	SUPPORT		1				
025	620526-2	CONTROLLER B		1				
026	266786-8	+ PAN HEAD TAPPING SCREW 2X10		4				
027	183D13-1	MOTOR HOUSING SET		1				
D10		INC. 28						
028	183D13-1	MOTOR HOUSING SET		1				
D10		INC. 27						
029	266326-2	TAPPING SCREW 4X18		4				
030	424837-5	SUPPORT A		1				
031	424838-3	REAR BLOCK FILTER		2				
032	620992-3	CONTROLLER		1				
033	644808-8	TERMINAL		2				
034	266326-2	TAPPING SCREW 4X18		2				
035	687123-7	STRAIN RELIEF		1				
036	123586-8	LATCH ASSEMBLY		1				
037	424836-7	SEAL		1				

