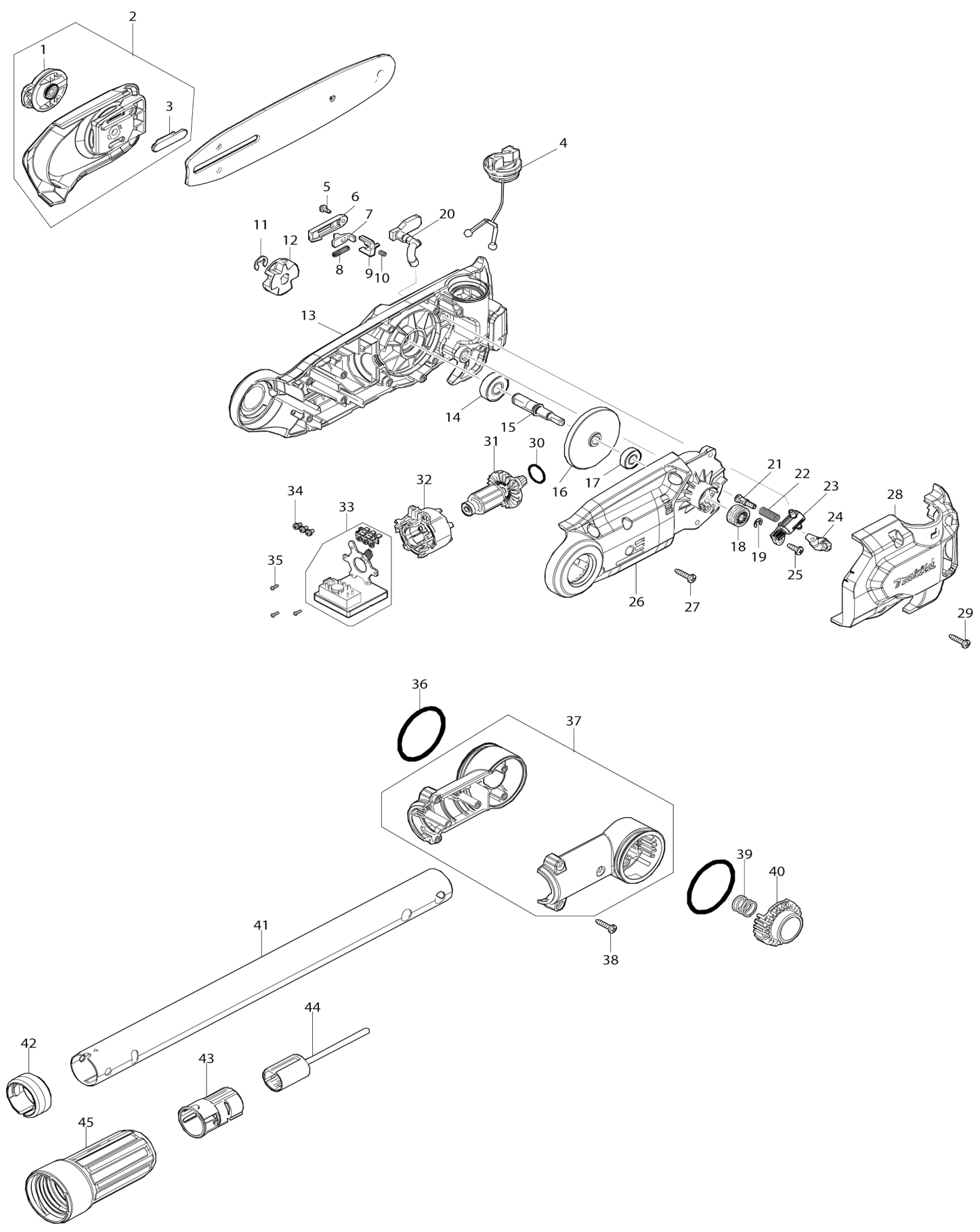
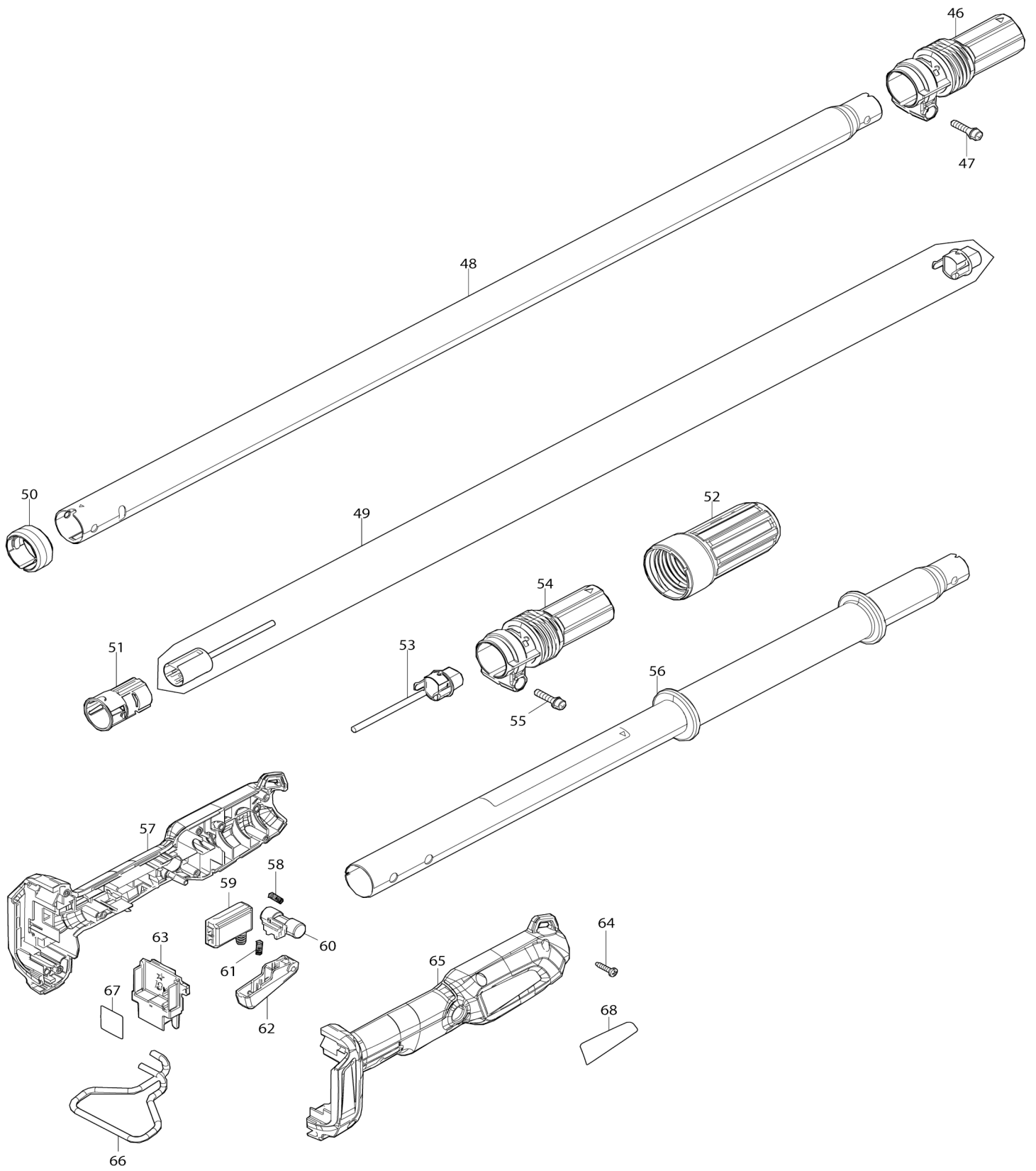


# Model No.DUA200 200MM CORDLESS POLE SAW



# Model No.DUA200 200MM CORDLESS POLE SAW



# Model No.DUA200 200MM CORDLESS POLE SAW

Obj. č.	Obj. č.	Popis	Možn ost zá měny	Množ ství	Nový/ Starý	Poznámka 1	Poznámka 2
001	1410X3-4	NUT COMPLETE		1			
002	137204-2	SPROCKET COVER ASS'Y		1		kryt	
002		INC. 1,3					
003	422833-7	GROMMET		1		t	
004	162A04-7	TANK CAP COMPLETE		1			
C10	213A11-4	O-RING 25		1			
005	266492-5	šroubek		1			
006	413M03-7	COVER		1		kryt	
007	347A69-2	TENSION SLIDE		1		kluz	
008	232787-8	COMPRESSION SPRING 4		1		pru	
009	413M02-9	STOPPER		1		doraz	
010	233211-4	Compression Spring 2		1		pru	
011	961013-5	zajišťovací kroužek		1		zaji	
012	227947-5	SPROCKET 7		1			
013	1830V8-4	HOUSING SET		1		obal	
C10	263005-3	vymezovací čep 6		4			
013		INC. 26					
014	210274-7	BALL BEARING 6000DDW		1			
015	327A89-2	SPINDLE		1		v	
016	227B67-7	SPIRAL BEVEL GEAR 71		1		ozuben	
017	211166-3	BALL BEARING 698DDW		1		lo	
018	226884-0	WORM GEAR		1		p	
019	961011-9	zajišťovací kroužek		1		zaji	
020	422B78-9	OIL TUBE 3-67		1		olejov	
021	413L02-3	NIPPLE		1		knofl	
022	232774-7	COMPRESSION SPRING 6		1		pru	
023	141N25-0	OIL PUMP COMPLETE		1		olejov	
024	422969-2	OIL TUBE 3-25		1		hadi	
025	266427-6	TAPPING SCREW 4X12		1			
026	1830V8-4	HOUSING SET		1		obal	
C10	263005-3	vymezovací čep 6		4			
026		INC. 13					
027	266326-2	šroub 4x18=new265995-6		7			
028	4130P7-3	HOUSING R COVER		1		pouzdro r kryt	
029	266326-2	šroub 4x18=new265995-6		4			
030	213A05-9	O-RING16		1		o krou	
031	619875-2	ROTOR		1		rotor	
032	629B92-8	STATOR		1		stator	
033	620P39-9	CONTROLLER		1		ovlada	
034	652069-6	FLAT HEAD SCREW M3X6		3			
035	266490-9	TAPPING SCREW PT 2X6		3			
036	213616-4	o kroužek 48		2		o krou	
037	1830X0-4	PIPE HOLDER SET		1		sada dr	
038	266326-2	šroub 4x18=new265995-6		5			
039	231113-8	COMPRESSION SPRING 12		1		pru	
040	4130P6-5	LOCK OFF BUTTON B		1		tla	
041	327D94-7	PIPE A		1		trubka	
042	4130R9-3	PIPE SLEEVE 32		1		trubkov	

043	687G57-6	RETAINER		1		dr	
044	638B00-8	LEAD UNIT A		1		veden	
045	4130R3-5	LOCK RING		1		pojistn	
046	4130R4-3	LOCK SCREW		1		pojistn	
C10	931202-6	HEX. NUT M5		1			
047	922243-3	Hex. Socket Head Bolt M5		1			
048	327D96-3	PIPE C		1		potrub	
049	638B02-4	LEAD UNIT C		1		vedouc	
050	4130R9-3	PIPE SLEEVE 32		1		trubkov	
051	687G57-6	RETAINER		1		dr	
052	4130R3-5	LOCK RING		1		pojistn	
053	638B01-6	LEAD UNIT B		1		vedouc	
054	4130R4-3	LOCK SCREW		1		pojistn	
C10	931202-6	HEX. NUT M5		1			
055	922243-3	Hex. Socket Head Bolt M5		1			
056	1410F3-8	PIPE B COMPLETE EU		1		potrub	
C10	8016N5-5	CAUTION LABEL		1			
057	1830V7-6	GRIP HOUSING SET		1		sada pouzdro grip	
C10	263005-3	vymezovací čep 6		2			
057		INC. 65					
058	231473-8	Compression Spring 4		1	*		
058-1	231469-9	compression spring 4	<	1		compression spring 4	
059	650033-1	SWITCH C3XA-3PSPM-1		1		vp	
060	4130Y0-0	LOCK OFF BUTTON A		1		tla	
061	231473-8	Compression Spring 4		1	*		
061-1	231469-9	compression spring 4	<	1		compression spring 4	
062	4130R8-5	SWITCH LEVER		1		sp	
063	643874-2	TERMINAL		1		kontakt	
064	266326-2	šroub 4x18=new265995-6		7			
065	1830V7-6	GRIP HOUSING SET		1		sada pouzdro grip	
C10	263005-3	vymezovací čep 6		2			
065		INC. 57					
066	327810-3	BATTERY GUARD		1		kryt	
067	8147J6-2	DUA200 SERIAL NO.LABEL		1			
068	8147J4-6	DUA200 NAME PLATE		1			
A01	122D94-0	BAND ASSEMBLY		1			
A02	1914S3-3	GUIDE BAR 8 SET		1			
A04	413G28-5	GUIDE BAR CASE 210		1	*		
A04-1	413G28-5	GUIDE BAR CASE 210	O	1			
A05	1914S1-7	SAW CHAIN 8 SET		1			

Prosím uveďte objednáčíslo dílu v objednávce

Datum tisku 11. 12. 2024