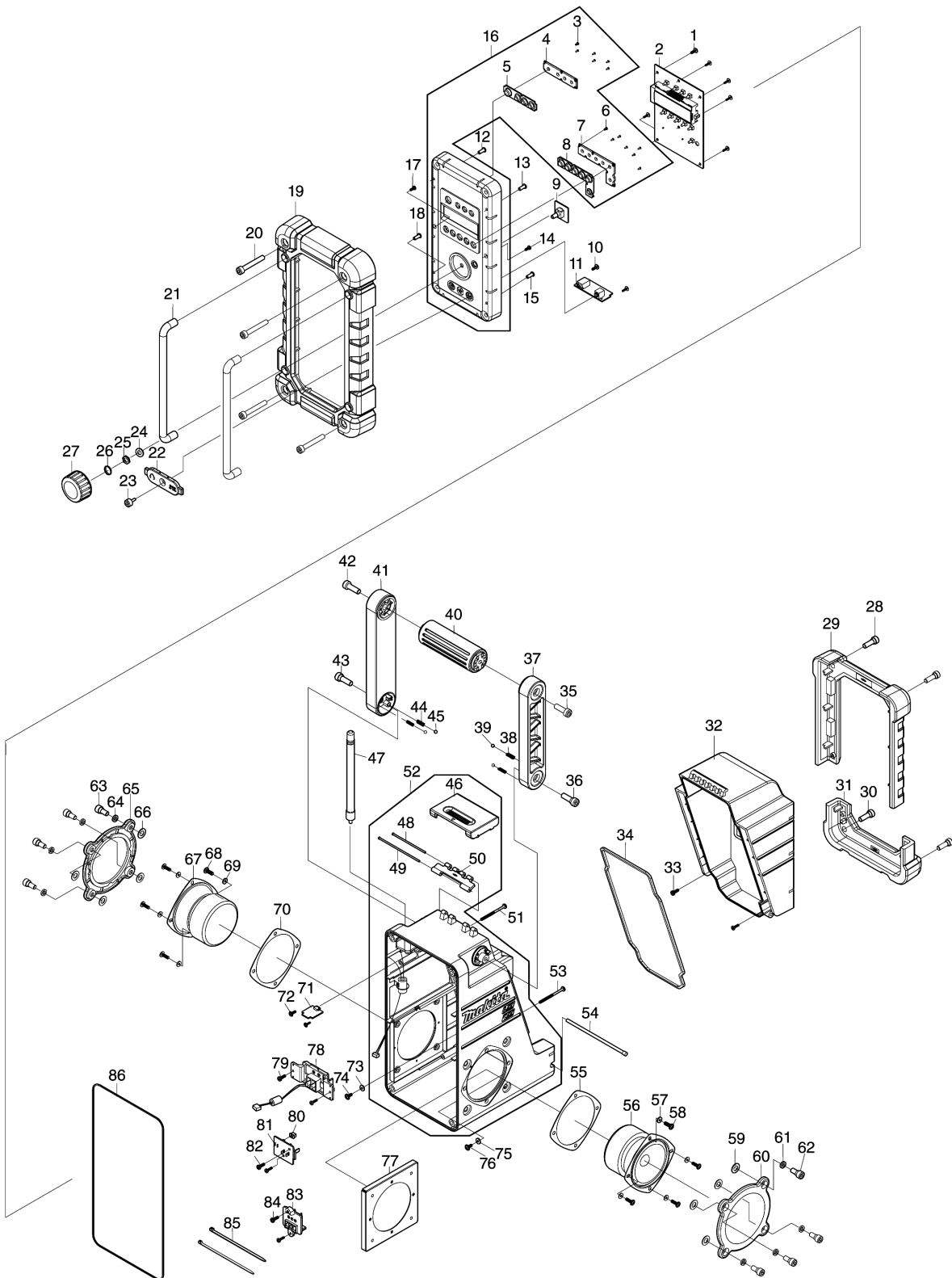


Model No.DMR110N JOB SITE RADIO



Model No.DMR110N JOB SITE RADIO

Položka	Číslo dílu	Popis	Změna	Množství	New/Old	Možnost 1	Možnost 2	Poznámka
001	SE00000325	SCREW PTB 3X8(NI)		6				
002	SE00001087	PCB A ASS'Y		1				
003	SE09090011	SCREW 1.7		6				
004	SE020PC020	POWER BUTTON HOLDER		1				
005	SE00000274	POWER BUTTON		1				
006	SE09090011	SCREW 1.7		7				
007	SE020PC030	PRESET BUTTON HOLDER		1				
008	SE00000275	PRESET BUTTON		1				
009	SE00001088	PCB P ENCODER ASS'Y		1				
010	SE00000193	SCREW 3X10		2				
011	SE00001089	PCB P DC JACK ASS'Y		1				
012	SE09064161	SCREW M4X16		1				
013	SE09064161	SCREW M4X16		1				
014	SE00000325	SCREW PTB 3X8(NI)		1				
015	SE09064161	SCREW M4X16		1				
016	SE00001090	FRONT CABINET ASS'Y		1				
D10		INC. 3-8						
017	SE00000325	SCREW PTB 3X8(NI)		1				
018	SE09064161	SCREW M4X16		1				
019	SE00000159	FRONT BUMPER		1				
020	SE00000160	SCREW PTHE6X47(CR)		4				
021	SE0338PC5Z	FRONT BAR		2				
022	SE00000042	JACK COVER		1				
023	SE09173106	šroub M3x10 BMR100		1				
024	SE00000754	EN/SW WASHER		1				
025	SE00000755	EN/SW NUT		1				
026	SE21B1110A	ROTARY KNOB RING		1				
027	SE00000465	ROTARY KNOB BLK 3102PC0000040		1				
028	SE09176166	šroub M6x16 BMR100		2				
029	SE00000162	BATTERY COVER BUMPER		1				
030	SE09176166	šroub M6x16 BMR100		2				
031	SE00000165	REAR BUMPER		1				
032	SE00000166	BATTERY COVER		1				
033	SE00000325	SCREW PTB 3X8(NI)		2				
034	SE00000168	PACKING		1				
035	SE00000176	SCREW PTHE6X20(CR)		1				
036	SE09176166	šroub M6x16 BMR100		1				
037	SE00000177	HANDLE HOLDER(R)		1				
038	SE00000184	SPRING		2				
039	SE09994007	kulička		2				
040	SE00000179	HANDLE		1				
041	SE00000180	HANDLE HOLDER (L)		1				
042	SE00000176	SCREW PTHE6X20(CR)		1				
043	SE09176166	šroub M6x16 BMR100		1				
044	SE00000184	SPRING		2				

Model No.DMR110N JOB SITE RADIO

Položka	Číslo dílu	Popis	Změna	Množství	New/Old	Možnost 1	Možnost 2	Poznámka
045	SE09994007	kulička		2				
046	SE00000190	BATTERY COVER LOCKER		1				
047	SE00000284	RUBBER ANT 174-240(BLACK)		1				
048	SE021PC050	LOCKER FIXER PIN 62.8		1				
049	SE021PC040	LOCKER FIXER PIN 79.5		1				
050	SE00000067	kryt		1				
051	SE09163452	SCREW M3X45		1				
052	SE00001091	REAR CABINET ASS'Y(BLUE)		1				
D10		INC. 46,48-50						
053	SE09163452	SCREW M3X45		1				
054	SE021PC030	čep baterie BMR100		1				
055	SE024J9030	PACKING		1				
056	SE00001093	SPEAKER RIGHT		1				
057	SE024J9070	PACKING		4				
058	SE09090023	SCREW M4X12		4				
059	SE024J9090	PACKING		4				
060	SE00000205	SPEAKER NET ASSY		1				
061	SE024J9040	PACKING		4				
062	SE9076146A	šroub		4				
063	SE9076146A	šroub		4				
064	SE024J9040	PACKING		4				
065	SE00000205	SPEAKER NET ASSY		1				
066	SE024J9090	PACKING		4				
067	SE00001094	SPEAKER LEFT		1				
068	SE09090023	SCREW M4X12		4				
069	SE024J9070	PACKING		4				
070	SE024J9030	PACKING		1				
071	SE00000674	PCB G UPDATE USB ASS'Y		1				
072	SE00000193	SCREW 3X10		2				
073	SE00000199	SILICON RUBBER WASHER		1				
074	SE00000193	SCREW 3X10		1				
075	SE00000199	SILICON RUBBER WASHER		1				
076	SE00000193	SCREW 3X10		1				
077	SE021J9010	SPEAKER HOLDER		1				
078	SE00001095	LXT TERMINAL		1				
079	SE00000325	SCREW PTB 3X8(NI)		2				
080	SE00000430	SWITCH KNOB		1				
081	SE00001096	PCB P BATTERY SWITCH ASS'Y		1				
082	SE00000325	SCREW PTB 3X8(NI)		2				
083	SE00000473	TERMINAL 10.8V ASSY 011 WA1		1				
084	SE00000325	SCREW PTB 3X8(NI)		2				
085	SE00000195	W/TIES 100MM		2				
086	SE024PC040	PACKING		1				
A01	SE00000265	AC ADAPTER		1				

Please order the parts with part number.

Print Date 23/2/2022