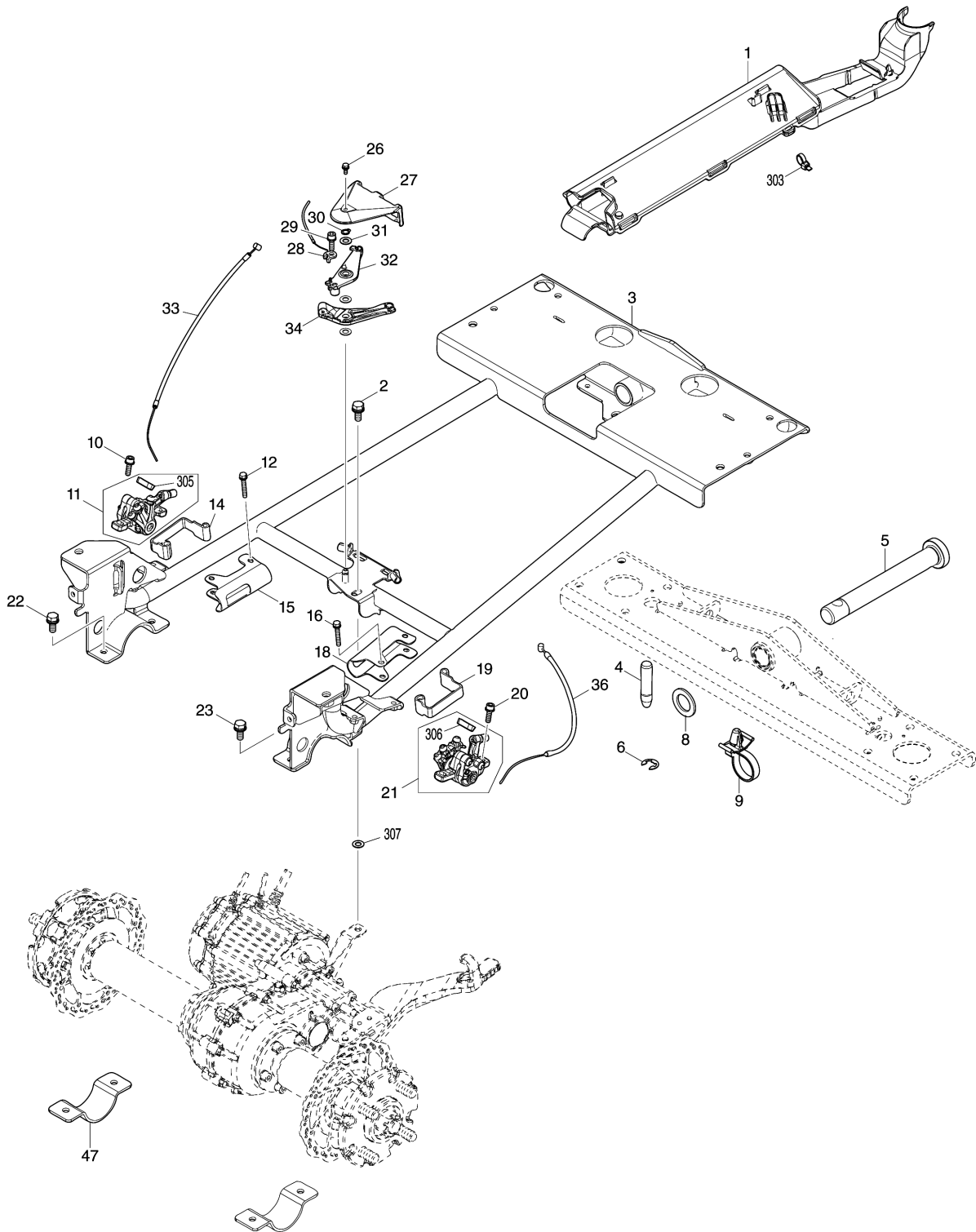
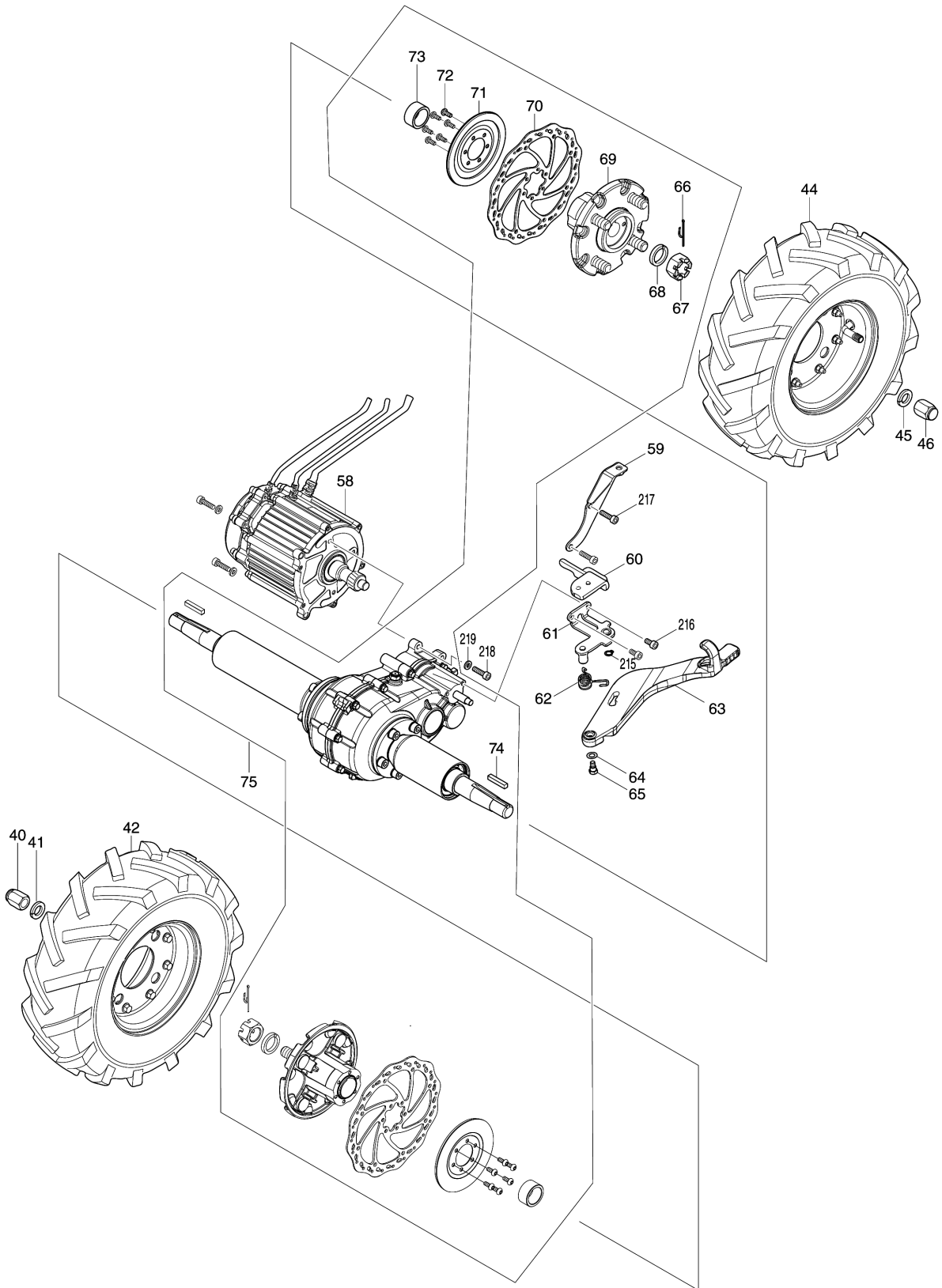


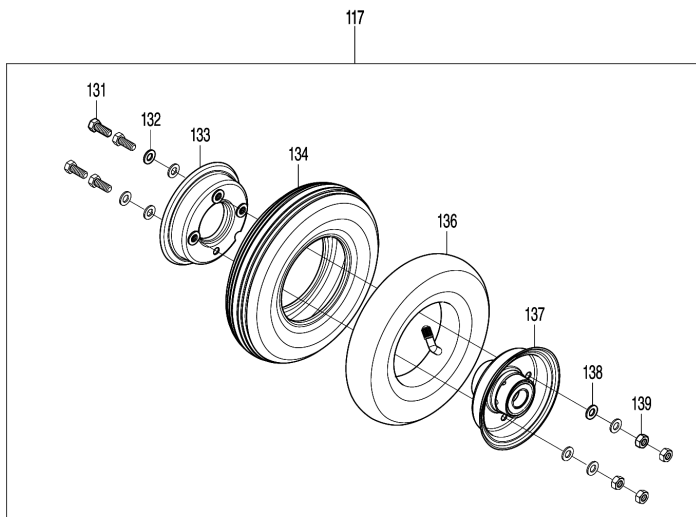
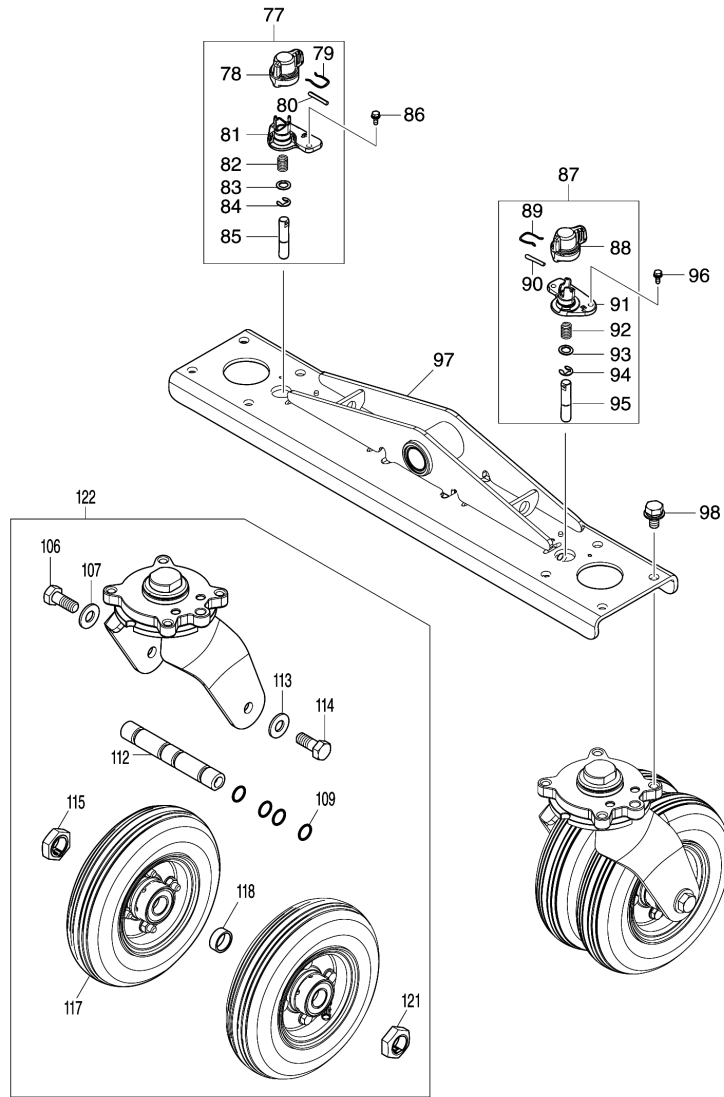
Model No.DCU602 BATTERY POWERED WHEELBARROW



Model No.DCU602 BATTERY POWERED WHEELBARROW

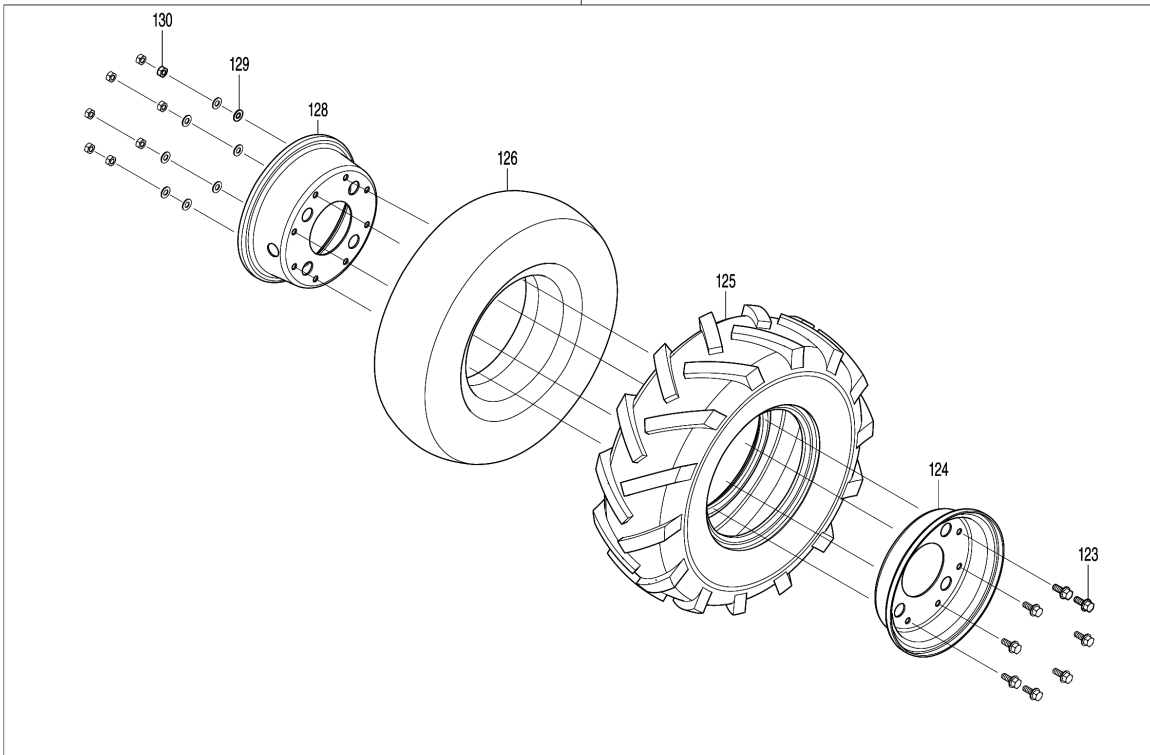


Model No.DCU602 BATTERY POWERED WHEELBARROW

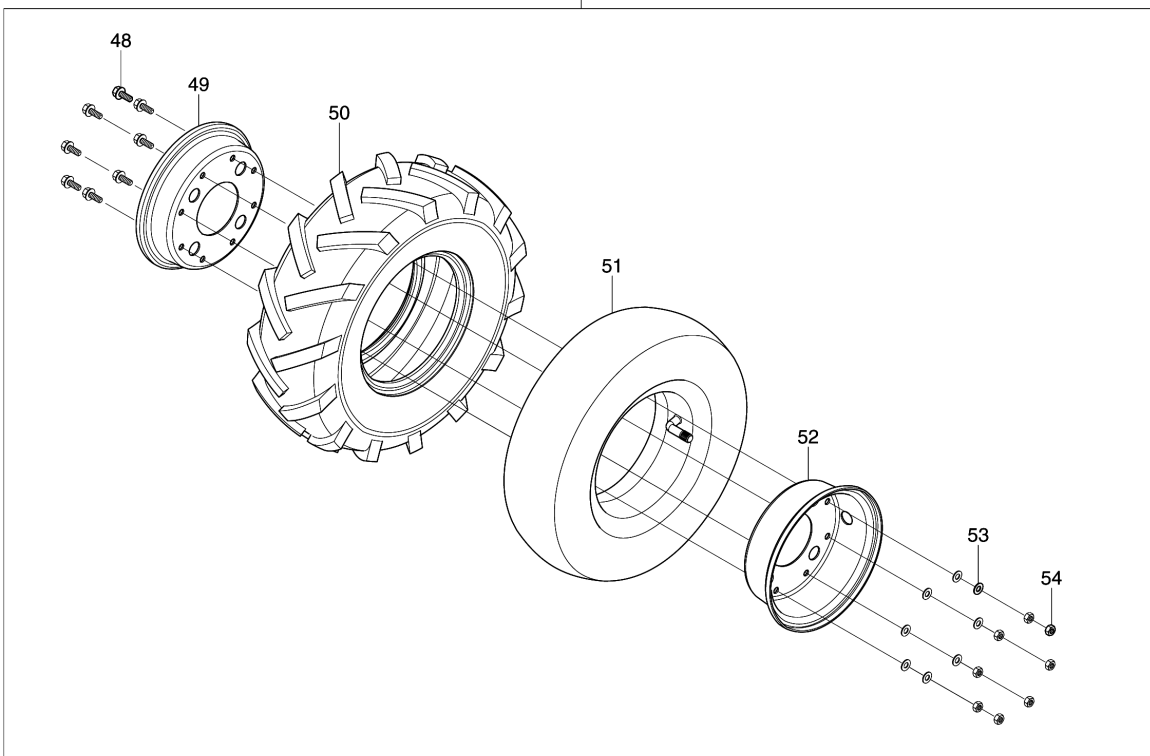


Model No.DCU602 BATTERY POWERED WHEELBARROW

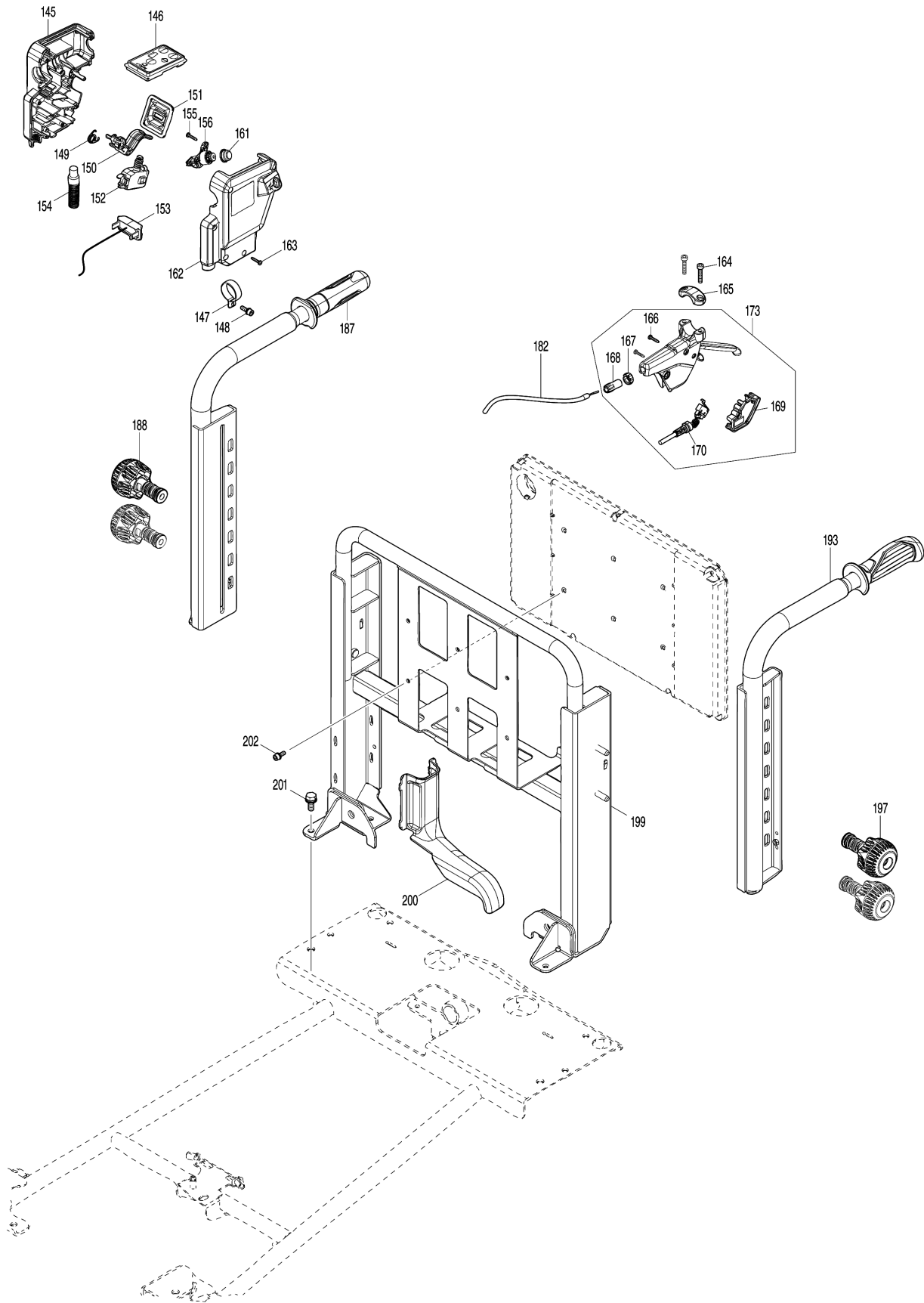
42



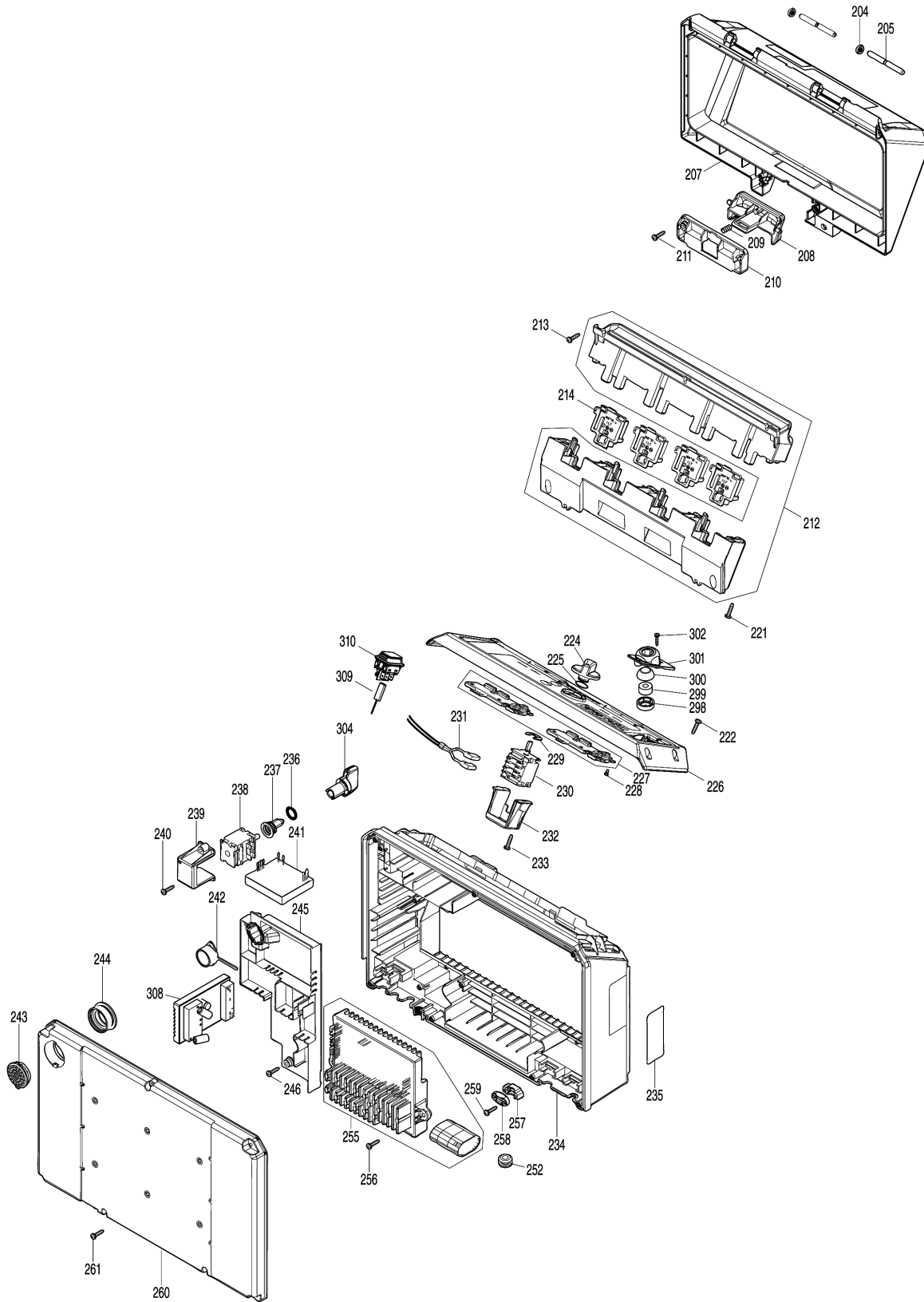
44



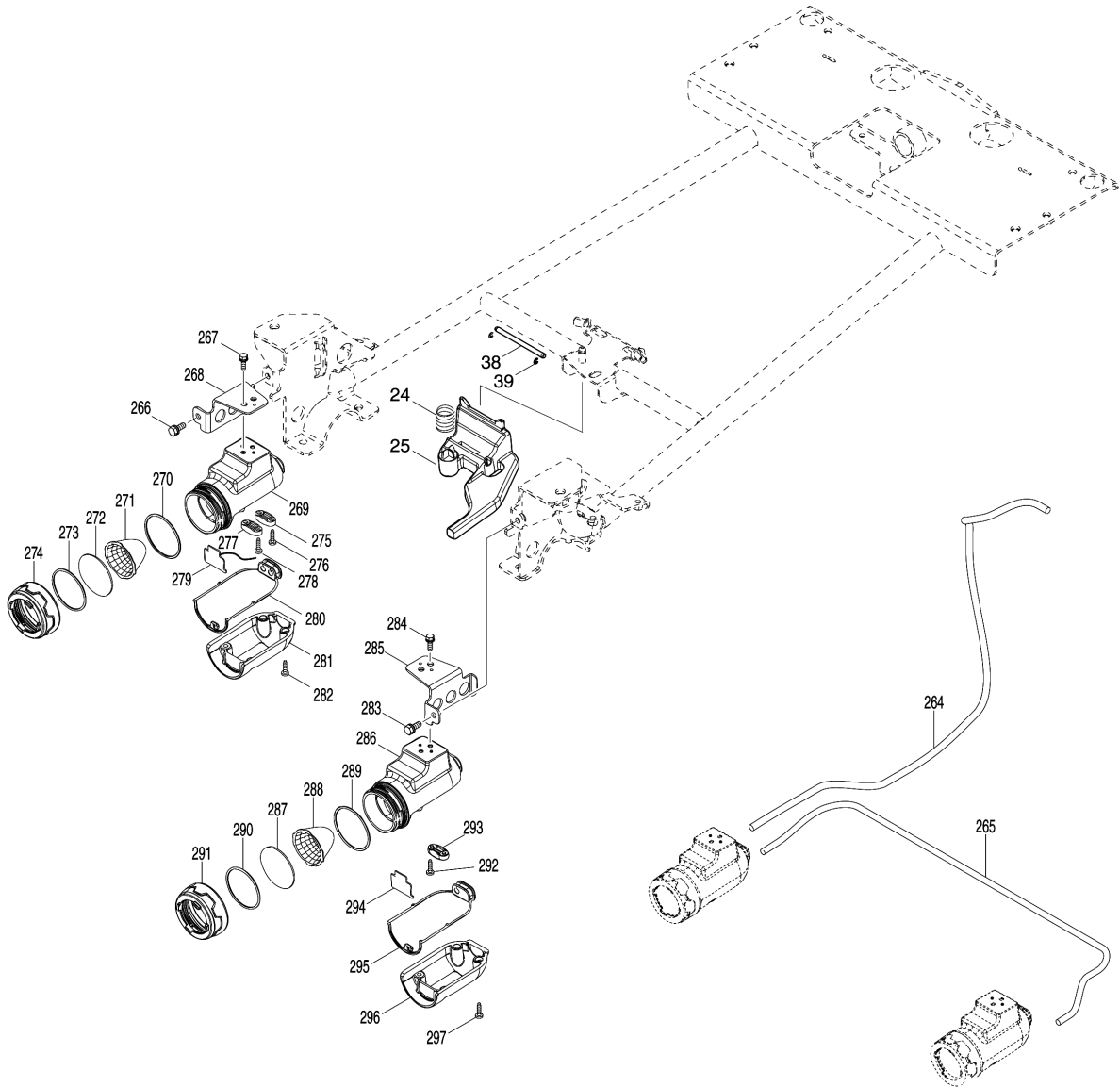
Model No.DCU602 BATTERY POWERED WHEELBARROW



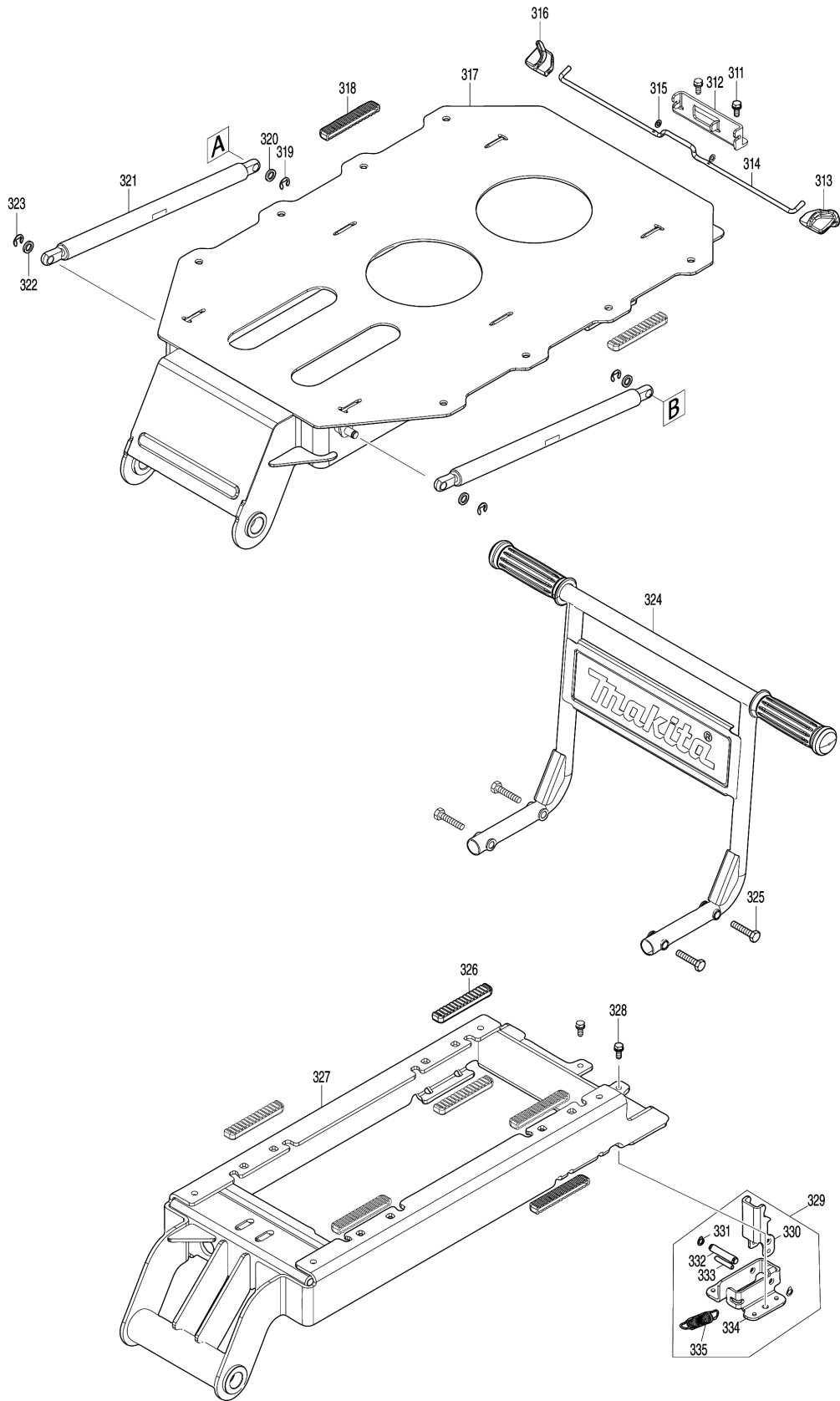
Model No.DCU602 BATTERY POWERED WHEELBARROW



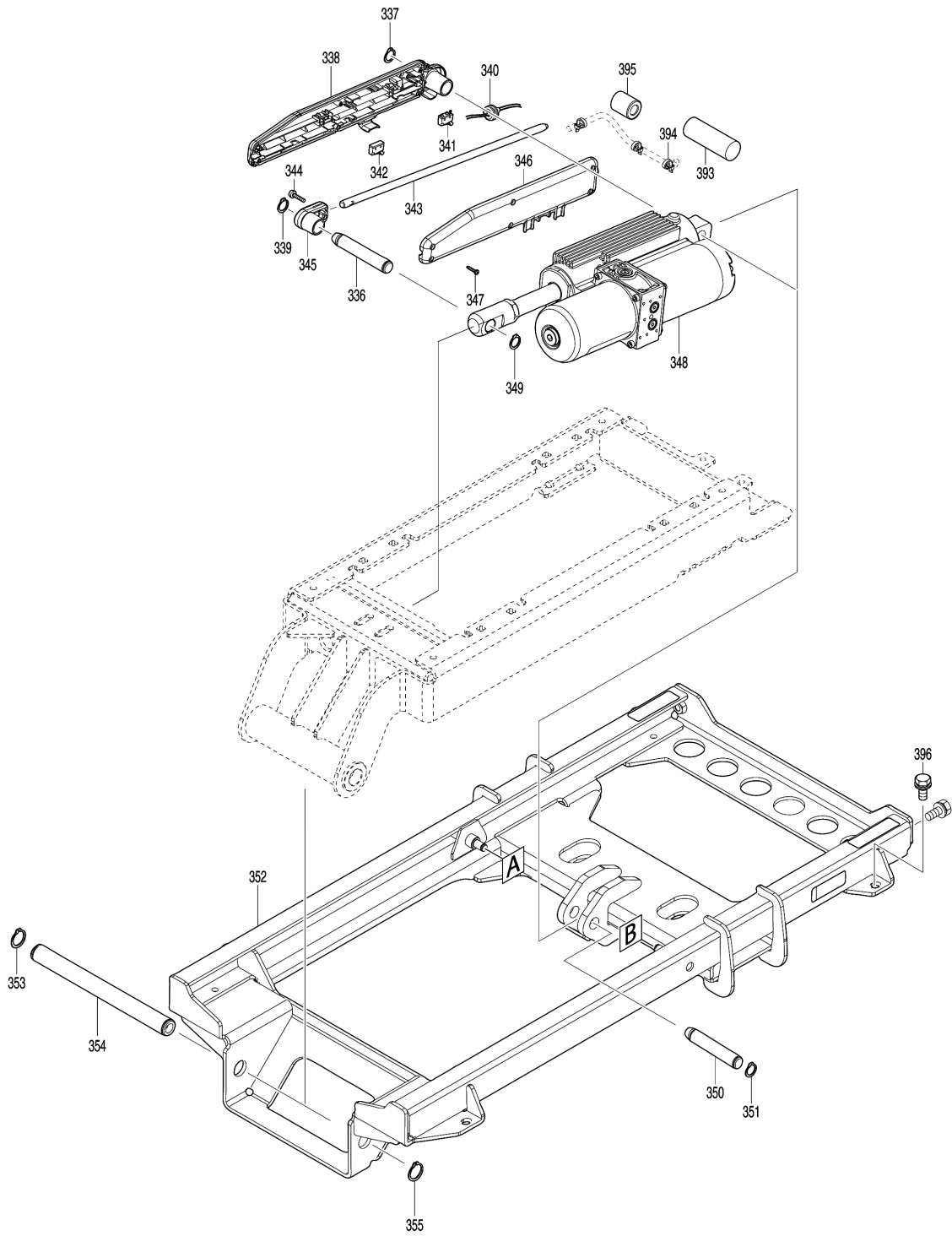
Model No.DCU602 BATTERY POWERED WHEELBARROW



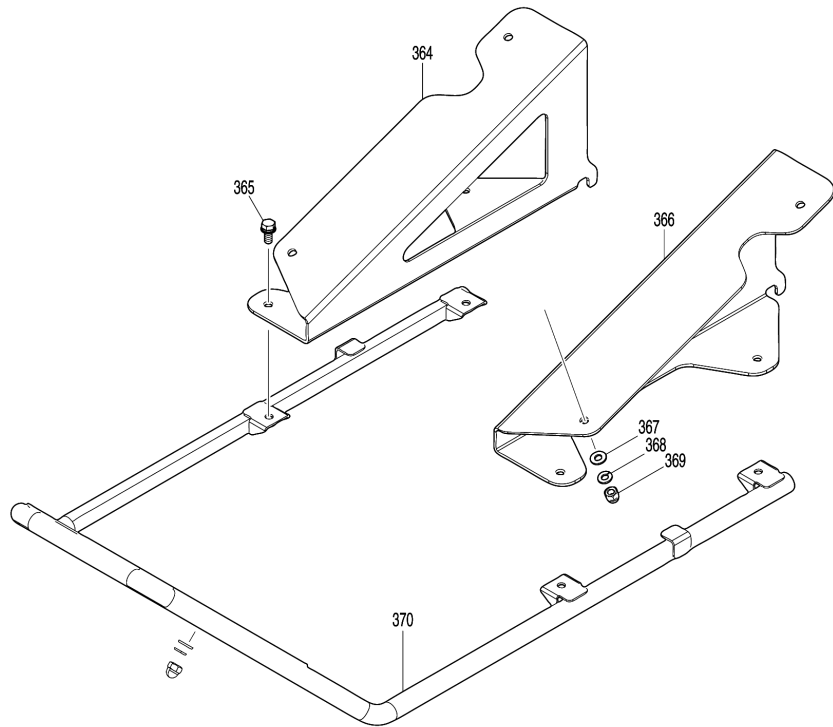
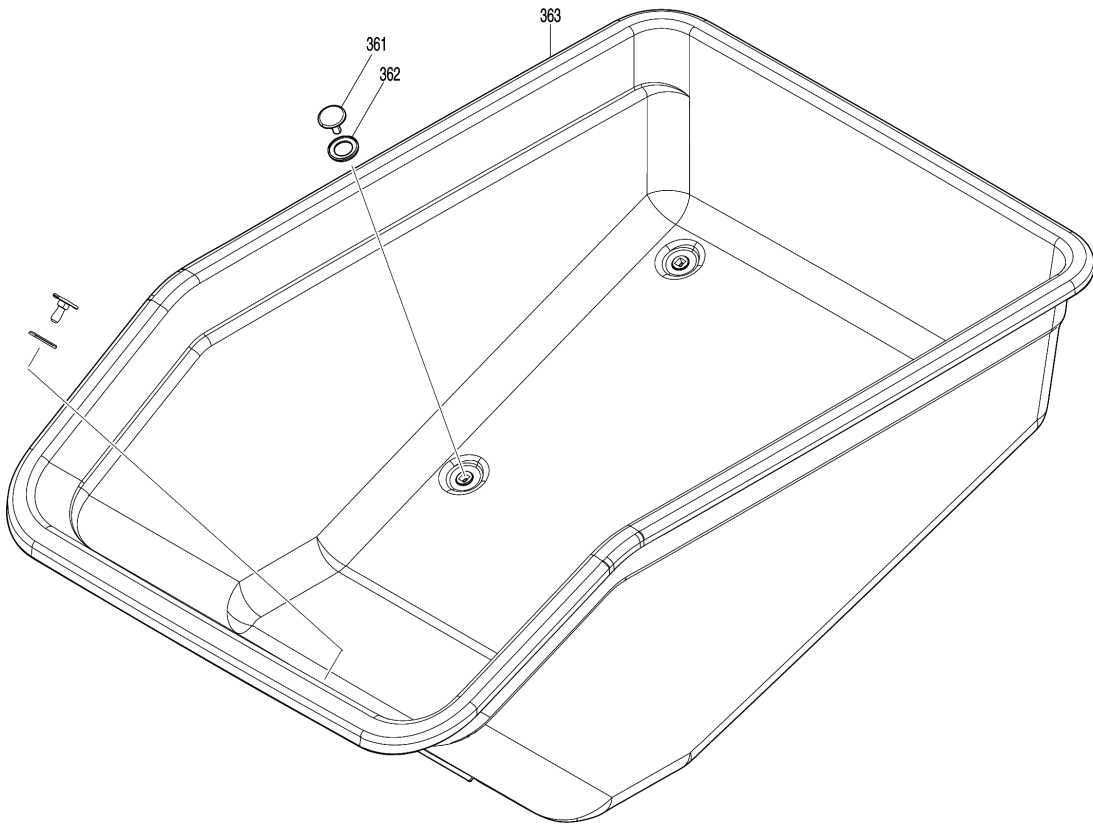
Model No.DCU602 BATTERY POWERED WHEELBARROW



Model No.DCU602 BATTERY POWERED WHEELBARROW



Model No.DCU602 BATTERY POWERED WHEELBARROW



Model No.DCU602 BATTERY POWERED WHEELBARROW

Položka	Číslo dílu	Popis	Změna	Množství	New/Old	Možnost 1	Možnost 2	Poznámka
001	412561-2	CORD COVER		1				
002	265B11-6	HEX. BOLT M8X20 WITH WR		1				
003	141P49-8	MAIN FRAME COMPLETE		1				
C10	8064B2-0	INDICATION LABEL		1				
004	256940-2	PIN 14		1				
005	327472-7	BASE SHAFT 25		1				
006	961062-2	STOP RING E-12		1				
008	261163-9	RUBBER WASHER 25		1				
009	687F01-7	BAND		1				
010	265D23-1	HEX. S.H.B M6X22 WITH GM		2				
011	136868-9	BRAKE CALIPER R ASS'Y		1				
D10		INC. 305						
012	265C76-4	HEX. BOLT M5X35 WITH WR		2				
014	347993-3	SCRAPER		1				
015	347995-9	CLAMP R		1				
016	265C76-4	HEX. BOLT M5X35 WITH WR		2				
018	347994-1	CLAMP L		1				
019	347993-3	SCRAPER		1				
020	265D23-1	HEX. S.H.B M6X22 WITH GM		2				
021	136869-7	BRAKE CALIPER L ASS'Y		1				
D10		INC. 306						
022	265B11-6	HEX. BOLT M8X20 WITH WR		2				
023	265B11-6	HEX. BOLT M8X20 WITH WR		2				
024	232737-3	COMPRESSION SPRING 19		1				
025	413D27-9	NEUTRAL LEVER LOCK		1				
026	265C46-3	HEX. BOLT M4X12 WITH WG		1				
027	413D28-7	BRAKE EQUALIZER COVER		1				
028	347629-4	CABLE CLAMP		1				
029	265B14-0	H.S.H.BOLT M6X20 WITH WR		1				
030	961004-6	RETAINING RING (EXT) S-8		1				
031	253165-9	FLAT WASHER 8		3				
032	319906-4	BRAKE EQUALIZER R		1				
033	140P25-9	BRAKE CABLE 370		1				
034	319905-6	BRAKE EQUALIZER L		1				
036	140P25-9	BRAKE CABLE 370		1				
038	256A03-0	ROD 4.5		1				
039	961017-7	STOP RING E-3		2				
040	252289-8	HEX. CAP NUT M14		4				
041	253475-4	SPRING WASHER 14		4				
042	141G99-9	TIRE 330 R ASSEMBLY		1				
D10		INC. 123-126,128-130						
044	141H00-0	TIRE 330 L ASSEMBLY		1				
D10		INC. 48-54						
045	253475-4	SPRING WASHER 14		4				
046	252289-8	HEX. CAP NUT M14		4				

Please order the parts with part number.

Print Date 16/2/2024

Model No.DCU602 BATTERY POWERED WHEELBARROW

Položka	Číslo dílu	Popis	Změna	Množství	New/Old	Možnost 1	Možnost 2	Poznámka
047	347621-0	CLAMP 57		2				
048	265C39-0	HEX. FLANGE HD. BOLT M6X16		8				
049	347950-1	WHEEL 150		1				
050	422857-3	TIRE 330		1				
051	162B39-4	TUBE 330		1				
C10	GQ00000001	VALVE CAP M8		1				
052	347949-6	WHEEL 150		1				
053	253551-4	FLAT WASHER 6		8				
054	252308-0	HEX. NUT M6-10		8				
058	122E51-4	MOTOR ASSEMBLY		1				
059	347698-5	DIFF BRACKET		1				
060	347A16-3	NEUTRAL LEVER		1				
061	347697-7	NEUTRAL LEVER HOLDER		1				
062	232616-5	TORSION SPRING 14		1				
063	413D41-5	NEUTRAL CHANGE LEVER		1				
064	253430-6	FLAT WASHER 8		1				
065	265465-5	SHOULDER HEX. BOLT M6		1				
066	NP00000001	SPLIT PIN 3-35		2				
067	NP00000002	HEX. NUT M20		2				
068	NP00000003	SPRING WASHER 22		2				
069	313304-4	HUB		2				
070	347208-8	BRAKE DISC		2				
071	141P62-6	PLATE COMPLETE		2				
072	265C87-9	H.S.B. HEAD SCREW M5X12		12				
073	327626-6	SLEEVE 25		2				
074	NP00000004	KEY 6		2				
075	122D22-5	DIFFERENTIAL GEAR UNIT		1				
D10		INC. 66-74						
077	122C29-5	TURNING LOCK R ASSEMBLY		1				
D10		INC. 78-85						
078	413D33-4	LOCK LEVER		1				
079	327938-7	SNAP RETAINER		1				
080	268181-8	PIN 3		1				
081	413D32-6	LIFTER GUIDE R		1				
082	232617-3	COMPRESSION SPRING 10		1				
083	253173-0	FLAT WASHER 10		1				
084	961013-5	STOP RING E-7		1				
085	256A04-8	PIN 10		1				
086	265C46-3	HEX. BOLT M4X12 WITH WG		2				
087	122C28-7	TURNING LOCK L ASSEMBLY		1				
D10		INC. 88-95						
088	413D33-4	LOCK LEVER		1				
089	327938-7	SNAP RETAINER		1				
090	268181-8	PIN 3		1				

Please order the parts with part number.

Print Date 16/2/2024

Model No.DCU602 BATTERY POWERED WHEELBARROW

Položka	Číslo dílu	Popis	Změna	Množství	New/Old	Možnost 1	Možnost 2	Poznámka
091	413D31-8	LIFTER GUIDE L		1				
092	232617-3	COMPRESSION SPRING 10		1				
093	253173-0	FLAT WASHER 10		1				
094	961013-5	STOP RING E-7		1				
095	256A04-8	PIN 10		1				
096	265C46-3	HEX. BOLT M4X12 WITH WG		2				
097	162712-4	REAR BASE		1				
098	265B13-2	HEX. BOLT M10X20 WITH WG		8				
106	265B10-8	HEX BOLT M12X40		1				
107	253460-7	FLAT WASHER 13		1				
109	213A73-2	O-RING 15		4				
112	327646-0	AXLE 20		1				
113	253460-7	FLAT WASHER 13		1				
114	265B10-8	HEX BOLT M12X40		1				
115	136835-4	HEX. SLEEVE 20 ASS'Y		1				
C10	263027-3	RUBBER PIN 4		1				
117	141H01-8	TIRE 210 ASSEMBLY		2				
D10		INC. 131-134,136-139						
118	257498-4	RING 20		1				
121	136835-4	HEX. SLEEVE 20 ASS'Y		1				
C10	263027-3	RUBBER PIN 4		1				
122	127457-1	CASTER 210 ASSEMBLY		2				
D10		INC. 106,107,109,112-115,						
D20		INC. 117,118,121						
123	265C39-0	HEX. FLANGE HD. BOLT M6X16		8				
124	347950-1	WHEEL 150		1				
125	422857-3	TIRE 330		1				
126	162B39-4	TUBE 330		1				
C10	GQ00000001	VALVE CAP M8		1				
128	347949-6	WHEEL 150		1				
129	253551-4	FLAT WASHER 6		8				
130	252308-0	HEX. NUT M6-10		8				
131	265C40-5	HEX. BOLT M8X20		4				
132	253552-2	FLAT WASHER 8		4				
133	347952-7	WHEEL 100		1				
134	422860-4	TIRE 210		1				
136	162B40-9	TUBE 210		1				
C10	GQ00000001	VALVE CAP M8		1				
137	347951-9	WHEEL 100		1				
138	253552-2	FLAT WASHER 8		4				
139	252309-8	HEX. NUT M8-13		4				
145	183X90-3	SWITCH BOX SET		1				
C10	8065A9-5	CAUTION LABEL		1				
D10		INC. 162						

Please order the parts with part number.

Print Date 16/2/2024

Model No.DCU602 BATTERY POWERED WHEELBARROW

Položka	Číslo dílu	Popis	Změna	Množství	New/Old	Možnost 1	Možnost 2	Poznámka
146	140P26-7	SWITCH CIRCUIT COMPLETE		1				
C10	183X57-1	SWITCH PLATE SET		1				
C20	266490-9	TAPPING SCREW PT 2X6		3				
147	346249-1	PIPE CLAMP 28		1				
148	265A97-4	H.S.H.BOLT M5X16 WITH WR		1				
149	232738-1	TORSION SPRING 11		1				
150	412206-2	SWITCH LEVER		1				
151	422554-1	LEVER COVER		1				
152	651395-0	SWITCH C3JW-6B-PA6N		1				
153	620C26-0	LED CIRCUIT		1				
154	699178-0	POWER SUPPLY CORD UNIT		1				
155	266130-9	TAPPING SCREW BIND PT 3X16		2				
156	122C26-1	BUZZER SWITCH ASSEMBLY		1				
C10	632T14-7	SWITCH UNIT		1				
161	422555-9	SWITCH COVER		1				
162	183X90-3	SWITCH BOX SET		1				
C10	8065A9-5	CAUTION LABEL		1				
D10		INC. 145						
163	266130-9	TAPPING SCREW BIND PT 3X16		6				
164	265C98-4	HEX SOCKET HEAD BOLT M5X25		2				
165	312C48-1	CLAMP 22		1				
166	266130-9	TAPPING SCREW BIND PT 3X16		2				
167	312C44-9	ADJUST NUT		1				
168	312C43-1	ADJUST BOLT		1				
169	413D25-3	SWITCH HOLDER		1				
170	632T13-9	SWITCH UNIT		1				
173	127458-9	BRAKE LEVER ASSEMBLY		1				
D10		INC. 166-170						
182	140P23-3	BRAKE CABLE 1590		1				
187	140T47-3	HANDLE R COMPLETE		1				
188	141H20-4	HANDLE LOCK KNOB		2				
C10	232739-9	COMPRESSION SPRING 15		2				
C20	313400-8	SPRING HOLDER		2				
193	140P15-2	HANDLE L COMPLETE		1				
197	141H20-4	HANDLE LOCK KNOB		2				
C10	232739-9	COMPRESSION SPRING 15		2				
C20	313400-8	SPRING HOLDER		2				
199	141N97-5	HANDLE BASE COMPLETE		1				
C10	8059G2-2	INDICATION LABEL		1				
200	412562-0	HANDLE BASE COVER		1				
201	265B11-6	HEX. BOLT M8X20 WITH WR		4				
202	265A96-6	H.S.H.BOLT M5X14 WITH WR		6				
204	262206-0	RUBBER RING 6		2				

Please order the parts with part number.

Print Date 16/2/2024

Model No.DCU602 BATTERY POWERED WHEELBARROW

Položka	Číslo dílu	Popis	Změna	Množství	New/Old	Možnost 1	Možnost 2	Poznámka
205	256942-8	ROD 6		2				
207	141K01-6	BATTERY COVER COMPLETE		1				
C10	8048W7-5	CAUTION LABEL		1				
C20	8059G1-4	INDICATION LABEL		1				
C30	816M70-5	INDICATION LABEL		1				
208	412195-1	BATTERY COVER HOOK		1				
209	231240-1	COMPRESSION SPRING 7		1				
210	412533-7	HOOK RETAINER		1				
211	266326-2	TAPPING SCREW 4X18		2				
212	183V34-1	TERMINAL CASE SET		1				
C10	263005-3	RUBBER PIN 6		8				
213	266326-2	TAPPING SCREW 4X18		5				
214	644809-6	TERMINAL		4				
215	961004-6	RETAINING RING (EXT) S-8		1				
216	265C85-3	HEX SOCKET HEAD BOLT M6X12		2				
217	265C86-1	HEX SOCKET HEAD BOLT M6X22		2				
218	265C86-1	HEX SOCKET HEAD BOLT M6X22		3				
219	347A43-0	SPACER 6		3				
221	266326-2	TAPPING SCREW 4X18		5				
222	266326-2	TAPPING SCREW 4X18		4				
224	412196-9	CHANGE LEVER		1				
225	213A15-6	O-RING 14		1				
226	140P19-4	TOP COVER COMPLETE		1				
C10	8048W3-3	INDICATION LABEL		1				
227	620C24-4	INDICATION CIRCUIT		1				
228	265C42-1	TAPPING SCREW 3X6		10				
229	961062-2	STOP RING E-12		1				
230	651444-3	SWITCH 1703.4703		1				
231	638A27-2	LEAD UNIT		1				
232	451343-7	SWITCH HOLDER		1				
233	266326-2	TAPPING SCREW 4X18		2				
234	412188-8	CENTER CASE		1				
235	858Y58-1	DCU602 NAME PLATE		1				
236	213A15-6	O-RING 14		1				
237	413D29-5	KEY JOINT		1				
238	650622-2	SWITCH		1				
239	451343-7	SWITCH HOLDER		1				
240	266326-2	TAPPING SCREW 4X18		2				
241	620G67-0	CONTROLLER		1				
242	620C25-2	BUZZER CIRCUIT		1				
243	413D35-0	BUZZER COVER		1				
244	422840-0	GROMMET		1				
245	412194-3	INNER CASE		1				

Please order the parts with part number.

Print Date 16/2/2024

Model No.DCU602 BATTERY POWERED WHEELBARROW

Položka	Číslo dílu	Popis	Změna	Množství	New/Old	Možnost 1	Možnost 2	Poznámka
246	266326-2	TAPPING SCREW 4X18		2				
252	682141-0	GROMMET		1				
255	620C21-0	CONTROLLER		1				
256	266326-2	TAPPING SCREW 4X18		2				
257	687051-6	STRAIN RELIEF		3				
258	687124-5	STRAIN RELIEF		3				
259	266326-2	TAPPING SCREW 4X18		6				
260	412190-1	FRONT COVER		1				
261	266326-2	TAPPING SCREW 4X18		7				
264	699180-3	POWER SUPPLY CORD UNIT		1				
265	699181-1	POWER SUPPLY CORD UNIT		1				
266	265B16-6	HEX. BOLT M6X16 WITH WR		1				
267	265B17-4	HEX. BOLT M5X16 WITH WR		2				
268	347622-8	LIGHT STAY R		1				
269	319594-7	LIGHT CASE		1				
270	213656-2	O RING 53		1				
271	457636-0	REFLECTOR		1				
272	457634-4	LENS		1				
273	213604-1	O RING 50		1				
274	457635-2	COVER		1				
275	687124-5	STRAIN RELIEF		1				
276	266034-5	TAPPING SCREW CT 4X16		2				
277	687124-5	STRAIN RELIEF		1				
278	266034-5	TAPPING SCREW CT 4X16		2				
279	620685-2	LED CIRCUIT		1				
280	422151-3	PACKING		1				
281	319595-5	LIGHT CASE COVER		1				
282	266034-5	TAPPING SCREW CT 4X16		4				
283	265B16-6	HEX. BOLT M6X16 WITH WR		1				
284	265B17-4	HEX. BOLT M5X16 WITH WR		2				
285	347623-6	LIGHT STAY L		1				
286	319594-7	LIGHT CASE		1				
287	457634-4	LENS		1				
288	457636-0	REFLECTOR		1				
289	213656-2	O RING 53		1				
290	213604-1	O RING 50		1				
291	457635-2	COVER		1				
292	266034-5	TAPPING SCREW CT 4X16		2				
293	687124-5	STRAIN RELIEF		1				
294	620685-2	LED CIRCUIT		1				
295	422166-0	PACKING		1				
296	319595-5	LIGHT CASE COVER		1				
297	266034-5	TAPPING SCREW CT 4X16		4				
298	413D37-6	LEVEL CASE		1				
299	242101-0	LEVEL INDICATOR		1				

Please order the parts with part number.

Print Date 16/2/2024

Model No.DCU602 BATTERY POWERED WHEELBARROW

Položka	Číslo dílu	Popis	Změna	Množství	New/Old	Možnost 1	Možnost 2	Poznámka
300	413D36-8	LEVEL COVER		1				
301	413D38-4	LEVEL RETANER		1				
302	266130-9	TAPPING SCREW BIND PT 3X16		2				
303	687F00-9	BAND		1				
304	413D30-0	KEY		1				
305	422961-8	PAD RETAINER		1				
306	422961-8	PAD RETAINER		1				
307	941201-0	FLAT WASHER 8		1				
308	620C22-8	CONTROLLER		1				
309	638A28-0	LEAD UNIT		1				
310	651488-3	SWITCH 1939.3322		1				
311	265B16-6	HEX. BOLT M6X16 WITH WR		2				
312	347628-6	HOLDER		1				
313	412197-7	KNOB		1				
314	327470-1	ROD 5		1				
315	941102-2	FLAT WASHER 5		2				
316	412197-7	KNOB		1				
317	162717-4	UPPER FRAME		1				
318	422556-7	CUSHION RUBBER		2				
319	961014-3	STOP RING E-8		2				
320	941252-3	FLAT WASHER 10		2				
321	162816-2	GAS SPRING 240		2				
322	941252-3	FLAT WASHER 10		2				
323	961014-3	STOP RING E-8		2				
324	140P16-0	DUMP HANDLE COMPLETE		1				
C10	8048W5-9	MAKITA LOGO LABEL		1				
325	921461-0	HEX. BOLT M8X40		4				
326	422556-7	CUSHION RUBBER		6				
327	162735-2	LOWER FRAME		1				
328	265B16-6	HEX. BOLT M6X16 WITH WR		2				
329	122C30-0	DUMP LOCK ASSEMBLY		1				
D10		INC. 330-335						
330	347626-0	ARM		1				
331	961004-6	RETAINING RING (EXT) S-8		2				
332	256943-6	PIN 8		1				
333	256196-7	PIN 5		1				
334	347627-8	BASE		1				
335	232618-1	TENSION SPRING 11		1				
336	327479-3	ROD END SHAFT 16		1				
337	961056-7	RETAINING RING S-16		1				
338	412201-2	SWITCH CASE		1				
339	961056-7	RETAINING RING S-16		1				
340	699179-8	POWER SUPPLY CORD UNIT		1				
341	632L48-2	SWITCH UNIT		1				

Please order the parts with part number.

Print Date 16/2/2024

Model No.DCU602 BATTERY POWERED WHEELBARROW

Položka	Číslo dílu	Popis	Změna	Množství	New/Old	Možnost 1	Možnost 2	Poznámka
342	632T59-5	SWITCH UNIT		1				
343	256941-0	ROD 8		1				
344	911139-3	PAN HEAD SCREW M4X20 WG		1				
345	412203-8	ROD END		1				
346	412202-0	SWITCH COVER		1				
347	266130-9	TAPPING SCREW BIND PT 3X16		6				
348	162738-6	HYDRAULIC UNIT		1				
349	961056-7	RETAINING RING S-16		1				
350	327479-3	ROD END SHAFT 16		1				
351	961056-7	RETAINING RING S-16		1				
352	141N99-1	ELECTRIC DUMP BASE COMPLETE		1				
C10	8059G3-0	CAUTION LABEL		2				
C20	8059G6-4	INDICATION LABEL		1				
C30	8059G7-2	INDICATION LABEL		1				
353	961102-6	RETAINING RING S-22		1				
354	327474-3	SHAFT 22		1				
355	961102-6	RETAINING RING S-22		1				
361	265B12-4	FLAT H. SQUARE NECK BOLT M8X24		6				
362	261164-7	RUBBER WASHER 20		6				
363	412198-5	DUMP BUCKET 200		1				
364	347624-4	BUCKET BASE R		1				
365	265B11-6	HEX. BOLT M8X20 WITH WR		4				
366	347625-2	BUCKET BASE L		1				
367	941201-0	FLAT WASHER 8		6				
368	942201-3	SPRING WASHER 8		6				
369	252278-3	HEX. CAP NUT M8		6				
370	141N86-0	BUCKET GUARD COMPLETE		1				
C10	457744-7	CAP 22		2				
393	684980-4	POLYOLEFIN TUBE		1				
394	687F00-9	BAND		2				
395	688140-0	LINE FILTER		1				
396	265508-3	HEX.BOLT M10X25		6				

Please order the parts with part number.

Print Date 16/2/2024